



MACON WATER AUTHORITY

CONTRACT FOR

Lower Poplar WRF Digester #6 and Drying Bed Cleaning

PROJECT ID: 51LP-DIG6-25

PROPRIETARY NOTICE

This document is prepared by the Macon Water Authority for the sole purpose of communicating to our vendors. The proprietary information contained herein is based on the requirements of the project. None of the information in this document is to be shared with any third parties without the expressed written consent of the Macon Water Authority.

INDEX

SECTION 00020	Invitation to Bid
SECTION 00100	Instructions to Bidders
SECTION 00210	Federal Employment Affidavits
SECTION 00300	Bid
SECTION 00410	Bid Bond
SECTION 00420	Statement of Bidder's Qualifications
SECTION 00421	Statement of Equipment
SECTION 00422	Corporate Certificate
SECTION 00423	Statement of Disadvantaged Firm Utilization
SECTION 00425	Contractor's License Certification
SECTION 00426	Contractor Screening Certification
SECTION 00430	Contractor's Certification of Authority
SECTION 00480	Non-Collusion Affidavit of Prime Bidder
SECTION 00500	Contract Agreement
SECTION 00550	Pre-Award Oath
SECTION 00600	Performance Bond
SECTION 00601	Blank Page – Performance Bond Surety Location
SECTION 00610	Payment Bond
SECTION 00611	Blank Page – Payment Bond Surety Location
SECTION 00700	General Conditions
SECTION 00800	Supplementary Conditions
SECTION 00810	Pay Estimate Summary Sheet

TECHNICAL SPECIFICATIONS

SECTION 01010	Summary of Work
SECTION 01020	Allowances
SECTION 01025	Measurement & Payment
SECTION 01569	Safety in Water/Wastewater Works
SECTION 01701	Contract Closeout Procedures
SECTION 01740	Warranty and Bonds

APPENDIX A

Lower Poplar WRF Digester Drawings
Lower Poplar WRF Drying Beds Drawings
Overhead of Lower Poplar Drying Beds

END OF INDEX

INVITATION TO BID

THE MACON WATER AUTHORITY
MACON, GEORGIA

Sealed Bids for furnishing all materials, labor, tools, equipment and appurtenances necessary for the installation of **Lower Poplar WRF Digester #6 and Drying Bed Cleaning** (the “Project”) will be received by the Macon Water Authority (the “Owner”), at the Macon Water Authority, 537 Hemlock Street, Engineering Training Room, Macon, Georgia 31201 until 2:00 P.M., local time, June 16, 2026, and then at said office publicly opened and read aloud. All bidders must attend a mandatory pre-bid meeting at the Lower Poplar WRF at 1101 Lower Poplar Street at 10:00 A.M. on June 2, 2026. All bid questions must be submitted to the Owner by 10:00 A.M. on June 9, 2026. The Bidder should attend the pre-bid meeting in its entirety.

The Project consists of furnishing all labor, equipment, and materials necessary to perform the cleaning of Digester #6 to include the inside of its lid and ten (10) drying beds at the Lower Poplar WRF.

The Project will be awarded in one Contract. Fifty-one percent (51%) of the Work under the Contract Documents must be self-performed by the General Contractor. The Project will be awarded by base bid [or “*by base bid plus selected alternates*”] on a lump sum basis for the performance and completion of all Work required by the Contract Documents.

The Contract Documents include, but may not be limited to, the Instructions to Bidders, the Contract Agreement, the General Conditions, the Drawings, the Specifications (Divisions 01 through 46, inclusive, where applicable), and the forms of Bid Bond, Performance Bond, and Payment Bond. These and any other Contract Documents may be examined at the following location:

Engineering Department
Macon Water Authority
537 Hemlock Street
Macon, GA 31201

Copies of Contract Documents may be obtained at the Engineering Department, Macon Water Authority, 537 Hemlock Street, Macon, GA 31201, by contacting Heather Veal, Telephone 478-464-5642 upon a non-refundable payment of **\$150.00** for each set. A street address must be provided to ensure prompt delivery. No partial sets of bidding documents shall be issued. **Bidders must purchase the Contract Documents in order to be eligible to submit a bid.** Bid documents on the MWA website are for informational purposes only.

Each Bid must be accompanied by a Bid Bond in the amount of 10% of the Bid, prepared on the form of Bid Bond that is part of the Contract Documents, duly executed by the Bidder as principal and having as surety thereon a surety company licensed to do business in the State of Georgia and listed in the latest issue of U.S. Treasury Circular 570.

Bidders must comply with the Disadvantaged Business Enterprise Participation Requirements specified in the Instructions to Bidders.

The Bidder shall affix to the outside of its Bid envelope the Bidder's Georgia Utility Contractor License Number. A license number of a Utility Manager or a subcontractor is insufficient, and any Bid that fails to affix to the outside of its Bid envelope the Bidder's Georgia Utility Contractor License Number may be rejected.

The successful Bidder for this Project shall be required to furnish a Performance Bond and Payment Bond, satisfactory to the Owner, each in the amount of 100 % of the Contract Price.

Employment of Local Businesses and Contractors: It is the desire of the Owner that local businesses be given the opportunity to participate on the various parts of the Work.

The Owner's encouragement of participation of disadvantaged enterprises and of locally owned businesses and contractors is not intended to restrict or limit competitive bidding or to increase the cost of the Work. The Owner supports a healthy, free market system that seeks to include responsible local businesses and provide ample opportunities for local business growth and development.

In an effort to assist minority-owned businesses, Georgia law permits an income tax adjustment on the state tax return of any company that subcontracts with a certified minority-owned firm to furnish goods, property or services to the State of Georgia pursuant to O.C.G.A. §48-7-38. Suppliers should consult with their tax advisors to find out how to take advantage of these tax credits.

The Owner reserves the right to reject any or all Bids. The Owner reserves the right to waive informalities and technicalities.

The Macon Water Authority
Michel Wanna
Interim Executive Director & President

END OF SECTION

SECTION 00100

INSTRUCTIONS TO BIDDERS**1.01 CONTRACT DOCUMENTS**

- A. The Bidder's attention is directed to the General Conditions and other Contract Documents, all of which should be reviewed and studied by the Bidders before submitting a Bid.
- B. The Contract Documents shall define and describe the complete Work to which they relate.

1.02 DEFINITIONS

The Bidder's attention is called to the definitions set forth in Article 41 of the General Conditions.

1.03 PREPARATION AND EXECUTION OF BID

- A. Each Bid must be prepared to represent that it is based solely upon the materials and equipment specified in the Contract Documents.
 - 1. *Trade Names.*— When reference is made in the Contract Documents to trade names, brand names, or to the names of manufacturers, such references are made solely to indicate that products of that description may be furnished and are not intended to restrict competitive bidding. Unless requests for approvals of other products have been received and approvals have been published by addendum in accordance with the procedure described below in this Section, the successful Bidder may furnish no products of any trade names, brand names, or manufacturers' names except those designated in the Contract Documents.
 - 2. *Use of other products.*—If a Bidder desires to use products of trade or brand names or of manufacturers' names which are different from those specified in the Contract Documents, application for the approval of the use of such products must be received by the Engineer at least ten (10) days prior to the date set for the opening of Bids. The application to the Engineer for approval of a proposed product must be accompanied by:
 - a. a schedule setting forth in which respects the materials or equipment submitted for consideration differ from the materials or equipment designated in the Contract Documents; and
 - b. a copy of the published recommendations of the manufacturer for the installation of the product together with a complete schedule of changes in the drawings and specifications, if any, which must be made in other work in order to permit the use and installation of the proposed product in accordance with the recommendations of the manufacturer of the product.

In addition, the Engineer will give consideration to reports from reputable independent testing laboratories, verified experience records showing the reputation of the proposed product with previous users, evidence of reputation of the

- manufacturer for prompt delivery, evidence of reputation of the manufacturer for efficiency in servicing its products, or any other written information that is helpful in the circumstances. To be approved, a proposed product must also meet or exceed all express requirements of the Contract Documents.
3. *Burden of proof.*— The degree of proof required for approval of a proposed product as acceptable for use in place of a named product or products is that amount of proof necessary to convince a reasonable person beyond all doubt.
 4. *Request for conference.*—Any Bidder who alleges that rejection of a submittal is the result of bias, prejudice, caprice, or error on the part of the Engineer may request a conference with a representative of the Owner: PROVIDED, that the request for said conference, submitted in writing, shall be received by the Owner at least five (5) days prior to the date set for the opening of Bids, time being of the essence.
 5. *Issuance of addenda.*— If the submittal is approved by the Engineer, an addendum will be issued to all prospective Bidders. Issuance of an addendum is a representation to all Bidders that the Engineer, in the exercise of its professional judgment and discretion, established that the product submitted for approval is acceptable and meets or exceeds all express requirements.
- B. Each Bid must be submitted on the Bid forms which are a part of the Contract Documents. **All blank spaces for Bid prices, both words and figures, must be filled in and completed in ink.** In case of discrepancy, the amount shown in words will govern. All required enclosed certifications or other documents must be fully completed and executed when submitted.
- C. In case of discrepancies between the figures shown in the unit prices and the totals, the unit prices shall apply and the totals shall be corrected to correspond with the unit prices. In case of discrepancies between written amounts and figures, written amounts shall take precedence over figures and the sum of all Bid extensions (of unit prices) plus lump sum items shall take precedence over the Bidders input of the Bid Total.
- D. Each Bid must be submitted in a sealed envelope, addressed to the Macon Water Authority (the “Owner”). Each sealed envelope containing a Bid must be plainly marked on the outside as, **“Lower Poplar WRF Digester #6 and Drying Bed Cleaning”**.
- E. The Bidder shall provide on the outside of the sealed envelope the following information:
1. Bidder's Name;
 2. Bidder's Georgia Utility Contractor License Number (if applicable); and,
 3. The words, “SEALED BID”
- F. Any Bid submitted which does not contain the above information on the outside of the sealed envelope will not be opened and will be returned to the Bidder.

- G. If forwarded by mail, the sealed envelope containing the Bid must be enclosed in another envelope addressed as follows:
- THE MACON WATER AUTHORITY
Attn: Heather Veal
790 Second Street
Post Office Box 108
Macon, Georgia 31202-0108
- H. Any and all Bids not meeting the aforementioned criteria for Bid submittal may be declared non-responsive, and subsequently returned to the Bidder unopened.
- I. The Bidder, in signing a Bid on the whole or any portion of the Project, shall conform to the following requirements:
1. Bids which are not signed by individuals making the Bid shall have attached thereto a power of attorney evidencing authority to sign the Bid in the name of the person for whom it is signed.
 2. Bids which are signed for a partnership shall be signed by all of the partners or by an attorney-in-fact. If a Bid is signed by an attorney-in-fact, there should be attached to the Bid a power of attorney executed by the partners evidencing authority to sign the Bid.
 3. Bids which are signed for a corporation shall have the correct, legal corporate name thereof, as reflected in the records of the Georgia Secretary of State, and the signature of the president or other authorized officer of the corporation manually written below the corporate name following the wording "By _____." If applicable, the corporate seal shall be affixed to the Bid.
 4. The Bidder shall complete, execute and submit the following documents, (if applicable to the Bidder) which are a part of the Contract Documents:
 - a. The Bid;
 - b. The Bid Bond;
 - c. Statement of Bidder's Qualifications;
 - d. Statement of Equipment;
 - e. Corporate Certificate, if the Bidder is a corporation;
 - f. Statement of Disadvantaged Business Enterprise ("DBE") compliance;
 - g. Contractor's License Certification;
 - ~~h. Photocopy of State of Georgia Utility Contractor's License;~~
 - i. Photocopy of Certificate of Authority from Georgia Secretary of State's Office to do work in Georgia (if out of state contractor);
 - j. Non-Collusion Affidavit of Prime Bidder;
 - k. Any and all forms, certifications or other documentation required by the Georgia Department of Natural Resources Environmental Protection Division;
 - l. Contractor Personnel Screening Certification.

1.04 METHOD OF BIDDING

The unit or lump sum price for each of the several items in the Bid of each Bidder shall include its pro rata share of overhead and profit so that the sum of the products, obtained by multiplying the quantity shown for each item by the unit price, represents the total Bid. Any Bid not conforming to this requirement may be rejected. Additionally, unbalanced Bids (including unbalanced unit prices) may be rejected. Conditional Bids shall not be accepted. **The special attention of all Bidders is called to this provision, for should conditions make it necessary to revise the quantities, no limit will be fixed for such increased or decreased quantities, nor extra compensation allowed.**

1.05 ADDENDA AND INTERPRETATIONS

- A. No interpretation of the meaning of the Drawings, Specifications or other pre-bid documents or Contract Documents shall be made to any Bidder orally.
- B. Any and all such interpretations and any supplemental instructions will be in the form of written Addenda to the Contract Documents which, if issued, will be mailed, shipped or faxed to all prospective Bidders (at the respective addresses furnished) at least seventy-two (72) hours (exclusive of weekends and holidays) prior to the date fixed for the opening of Bids.
- C. Failure of Bidders to receive or acknowledge any Addendum shall not relieve them of any obligation under the Bid or the Contract Documents. All Addenda shall become part of the Contract Documents and obligations there under binding.

1.06 BID MODIFICATIONS

Bidders may modify their Bid by facsimile communication at any time prior to the scheduled closing time for receipt of Bids, provided such facsimile communication is received by the Owner prior to the time Bids are required, and provided further that the Owner is satisfied that a written confirmation of the facsimile modification over the signature of the Bidder was mailed by the Bidder to the Owner prior to the time Bids are required. The facsimile communication should not reveal the Bid price but should provide the addition or subtraction or other modification so that the final prices or terms will not be known by the Owner until the sealed Bid is opened. If written confirmation from the Bidder is not received by the Owner within two business days from the time Bids are required, no consideration will be given to the facsimile modification and the facsimile modification shall be rejected.

1.07 BID SECURITY

- A. Each Bid must be accompanied by a Bid Bond, prepared on the form of Bid Bond included herein, duly executed by the Bidder as principal and having as surety thereon a surety company authorized to do business in the State of Georgia and listed in the latest issue of U.S. Treasury Circular 570, in the amount of **ten (10%)** percent of the

Bid. Attorneys-in-fact who sign Bonds must file with each Bond a currently dated and valid original of their power of attorney. Where validity and currentness of a power of attorney are established by certification executed by a corporate officer, the certification shall be made and executed by a corporate officer of record, as reflected in the records of the Georgia Secretary of State, or by valid corporate resolution or authorization identifying such corporate officer.

- B. Except as provided in O.C.G.A. §§ 36-91-52 and 36-91-53, if for any reason whatsoever the successful Bidder withdraws from the competition after opening of the Bids, or if Bidder refuses to execute and deliver the Contract and Bonds required in Article 2 of the General Conditions, the provisions of the Bid Bond may be enforced.
- C. Except as provided in O.C.G.A. §§ 36-91-52 and 36-91-53, a Bid may not be revoked or withdrawn until sixty (60) days after the time set for opening the Bids. Upon expiration of this time period, the Bid will cease to be valid, unless the Bidder provides written notice to the Owner prior to the scheduled expiration date that the Bid will be extended for a time period specified by the Owner.

1.08 RECEIPT AND OPENING OF BIDS

The Owner may consider a technicality and informality in any Bid not prepared and submitted in strict accordance with the provisions hereof and may waive any technicality and informality or reject any and all Bids. Any Bid may be withdrawn prior to the above scheduled time for the opening of Bids or authorized postponement thereof. Any Bid received after the time and date specified shall not be opened.

1.09 CONDITIONS OF THE PROJECT

- A. Each Bidder must be informed fully of the conditions relating to the construction of the Project and the employment of labor thereon. Failure to do so will not relieve a successful Bidder of the obligation to furnish all material and labor necessary to carry out the provisions of the Contract Documents. Insofar as possible, the Bidder, in carrying out the Work, must employ such methods or means as will not cause any interruption of or interference with the work of any other contractor.
- B. The Bidder is advised to examine the location of the Project and to be informed fully as to its conditions; access requirements, the conformation of the ground; the character, quality and quantity of the products needed preliminary to and during the prosecution of the work; the general and local conditions and all other matters which can in any way affect the work to be done under the Contract Documents. Failure to examine the site will not relieve the successful Bidder of an obligation to furnish all products and labor necessary to carry out the provisions of the Contract Documents.
- C. The Bidder shall notify the Owner of the date and time Bidder proposes to examine the location of the Project. The Bidder shall confine examination to the specific areas designated for the proposed construction, including easements and public right-of-ways. If, due to some unforeseen reason, the proceedings for obtaining the proposed construction site (including easements), have not been completed, the Bidder may enter

the site only with the express consent of the property owner. The Bidder is solely responsible for any damages caused by examination of the site.

- D. All anticipated federal, state and local permits required for the Project NA been obtained.
- E. All rights of way and easements anticipated for the Project NA been obtained.

1.10 EQUAL EMPLOYMENT OPPORTUNITY

- A. During the performance of the Contract, the Bidder agrees as follows:
 - 1. The Bidder shall not discriminate against any employee or applicant for employment, or in any employment action during employment, based upon any applicable, legally-recognized and protected basis, including, but not limited to, veteran status, uniformed service member status, race, color, religion, sex, sexual orientation, gender identity, age (40 and over), pregnancy (including childbirth, lactation and related medical conditions), national origin or ancestry, citizenship status, physical or mental disability, genetic information (including testing and characteristics), or any other consideration protected by federal, state, or local law.
 - 2. The Bidder shall, in all solicitation or advertisement for employees placed by or on behalf of Bidder, state that all qualified applicants will receive consideration for employment without regard to any applicable, legally-recognized and protected consideration, including, but not limited to veteran status, uniformed service member status, race, color, religion, sex, sexual orientation, gender identity, age (40 and over), pregnancy (including childbirth, lactation and related medical conditions), national origin or ancestry, citizenship status, physical or mental disability, genetic information (including testing and characteristics), or any other characteristic or basis protected by federal, state, or local law.
 - 3. The Bidder shall send to each labor union or representative of the workers, with which the Bidder has a collective bargaining agreement or other contract or understanding, a notice advising the labor union or worker's representative of the Bidder's commitments under the Equal Employment Opportunity Program of the Owner and shall post copies of the notice in conspicuous places available to employees and applicants for employment.
 - 4. The Bidder and its subcontractors, if any, shall file compliance reports at reasonable times and intervals with the Owner in the form and to the extent prescribed by the Owner or the Georgia Department of Natural Resources. Compliance reports filed at such times as directed shall contain information as to the employment practices, policies, programs and statistics of the Bidder and its subcontractors.
 - 5. The Bidder shall demonstrate by the documentation required in Paragraph C, below, that a "Good Faith Effort" has been made to achieve compliance with the Owner's goal that a minimum of ten percent (10%) of the Contract Price shall be subcontracted to a Disadvantaged Business Enterprise (DBE). "DBE" shall have the

meaning as is defined in applicable federal law, including the current rules and regulations of the United States Department of Transportation. More specifically, the term “DBE” means a firm or business which is at least fifty-one percent (51%) owned, operated, capitalized, and controlled by one or more United States citizens or lawfully admitted residents who are socially and economically disadvantaged.

As used herein, the term “subcontracted” means providing subcontracting services or furnishing products or materials to be utilized in the performance of the Work.

6. The Bidder shall include the provisions of paragraphs 1 through 6 of this Section 1.10.A in every subcontract or purchase order so that such provisions will be binding upon each subcontractor or vendor
- B. In determining whether a Bidder has made “Good Faith Efforts”, the Owner will look at the effort that a Bidder has made.
 - C. The following list of kinds of efforts is provided for consideration, but this is not an exhaustive list of efforts that may be considered by the Owner:
 1. Whether the Bidder attended any pre-solicitation or pre-bid meetings that were scheduled by the Agent to inform DBEs of contracting and subcontracting opportunities;
 2. Whether the Bidder advertised in general circulation, trade association, and DBE-focus media concerning the sub-contracting opportunities;
 3. Whether the Bidder provided written notice to DBEs that their interest in the Contract was being solicited, in sufficient time to allow the DBEs to participate effectively;
 4. Whether the Bidder followed up initial solicitations of interest by contacting DBEs to determine with certainty whether the DBEs were interested;
 5. Whether the Bidder selected portions of the Work to be performed by DBEs in order to increase the likelihood of meeting the DBE goals (including, where appropriate, breaking down contracts into economically feasible units to facilitate DBE participation);
 6. Whether the Bidder provided interested DBEs with adequate information about the Drawings, Specifications and requirements of the Contract Documents;
 7. Whether the Bidder negotiated in good faith with interested DBEs, not rejecting DBEs as unqualified without sound reasons based on a thorough investigation of their capabilities; and
 8. Whether the Bidder made efforts to assist interested DBEs in obtaining bonding, lines of credit, or insurance required by the Contract Documents or Contractor.

- D. Each Bidder shall include with his or her Bid a Statement of Disadvantaged Firm Utilization. Such statement shall include, as a minimum, the names and addresses of all DBE firms providing subcontracting services, furnishing products or materials, etc., the nature of the work to be contracted; and the anticipated cost of the services by each named firm as a percentage of the total Contract Price set forth in the Bid. The percentage participation should be calculated on the basis of the proportion of total dollar value of the Bid, including bulk purchase materials supplied by DBEs.
- E. It is the desire of the Owner that DBEs be given the opportunity to bid on the various parts of the Work, and that to the extent feasible, DBE firms in the Middle Georgia area will be solicited and used. However, this desire is not intended to restrict or limit competitive bidding or to increase the cost of the Work. The Owner supports a healthy, free market system that seeks to include responsible businesses and provide ample opportunities for business growth and development.

In an effort to assist minority-owned businesses, Georgia law permits an income tax adjustment on the state tax return of any company that subcontracts with a certified minority-owned firm to furnish goods, property or services to the State of Georgia pursuant to O.C.G.A. § 48-7-38. Suppliers should consult with their tax advisors to find out how to take advantage of these tax credits.

1.11 NOTICE OF SPECIAL CONDITIONS

If any special federal, state, county or city laws, municipal ordinances, and the rules and regulations of any authorities having jurisdiction over construction of the Project, enclosed, herein referred to, or applicable by law to the Project, conflict with requirements of the Contract Documents, then the federal, state, county or city laws, municipal ordinances, and the rules and regulations of any authorities having jurisdiction over construction of the Project shall prevail and supersede the conflicting requirements of the Contract Documents.

1.12 OBLIGATION OF BIDDER

- A. By submission of a Bid, each Bidder warrants that Bidder has inspected the site and has read and is thoroughly familiar with the Contract Documents (including all addenda). The failure or omission of any Bidder to examine any form, instrument or document shall in no way relieve any Bidder from any obligation in respect to the Bid.
- B. Special attention is directed to Article 4, "Insurance" contained at pages 00700-3 through 00700-6 in the General Conditions. The Owner requires (1) "Worker's Compensation and Employer's Liability Insurance," (2) "Commercial General and Umbrella Liability Insurance," (3) "Business Auto and Umbrella Liability Insurance," and (4) "Materials and Floater" Insurance. For each of the required policies, the Owner requires a certificate of insurance at least quarterly, a copy of the endorsement of the insurance company showing the Owner as an additional insured, and a copy of the insurance policy declaration and any necessary endorsements.

- C. Attention is further directed to Paragraph 6 of 00500, Contract Agreement and Article 9 of 00700, General Conditions regarding assignments. Prior written consent of the Owner is required for any assignment of any portion of this Contract, including any assignment due to “buyout” of Bidder or other acquisition of Bidder where the Bidder is a corporation or where Bidder is 50 percent or more owned by a corporation, firm, or person.

1.13 METHOD OF AWARD

- A. The Contract, if awarded, will be awarded to the lowest responsible and responsive Bidder whose Bid meets the requirements and criteria set forth in the Contract Documents. The Contract, if awarded, will be awarded by base bid on a lump sum basis, comprised of unit prices, for the performance and completion of all Work required by the Contract Documents.
- B. The Bidder to whom the award is made will be notified. The Owner reserves the right to reject any and all Bids and to waive any technicalities and informalities in Bids received whenever such rejection or waiver is in the Owner’s interest.
- C. A responsive Bidder shall be one who submits a Bid in the proper form without qualification or intent other than as called for in the Contract Documents, and who binds itself on behalf of the Bid to the Owner with the proper Bid Bond completed and attached, and who properly completes all forms required to be completed and submitted at the time of the Bidding. The Bidder shall furnish all data, documents, forms, and certifications required by the Contract Documents. Failure to do so may result in the Bid being declared non-responsive.
- D. A responsible Bidder shall be one who can fulfill the following requirements:
1. The Bidder shall maintain a permanent place of business. This requirement applies to the Bidder where the Bidder is a division of a corporation, or where the Bidder is 50 percent or more owned by a person, corporation or firm.
 2. The Bidder shall demonstrate adequate construction experience and sufficient equipment resources to properly perform the work under and in conformance with the Contract Documents. This evaluation will be based upon a list of completed or active projects and a list of construction equipment available to the Bidder to perform the work. The Owner may make such investigations as deemed necessary to determine the ability of the Bidder to perform the Work, and the Bidder shall furnish to the Owner all such information and data for this purpose as the Owner may reasonably request. The Owner reserves the right to reject any Bid if the evidence submitted by, or investigation of, such Bidder fails to satisfy the Owner that such Bidder is properly qualified to carry out the obligations of the Contract Documents and to complete the Project contemplated therein.
 3. The Bidder shall demonstrate financial resources of sufficient strength to meet the obligations incident to the performance of the Work covered by the Contract

Documents. The ability to obtain the required Performance and Payment Bonds will not alone demonstrate adequate financial capability.

1.14 EMPLOYMENT OF LOCAL LABOR

Preference in employment on the Project shall, insofar as practical, be given to qualified local labor.

END OF SECTION

FEDERAL WORK AUTHORIZATION PROGRAM AFFIDAVITS

**EACH BIDDER MUST PROVIDE THE OWNER WITH THE
PROPERLY COMPLETED AND PROPERLY SIGNED FEDERAL
WORK AUTHORIZATION PROGRAM AFFIDAVITS AS
REQUIRED BY O.C.G.A. § 13-10-91**

**THIS FORM MUST BE COMPLETED BY ALL CONTRACTORS, ALL
SUBCONTRACTORS AND ALL SUB-SUBCONTRACTORS**

THE FORMS ARE ATTACHED HERETO.

Contractor Affidavit under O.C.G.A. § 13-10-91(b)(1)

By executing this affidavit, the undersigned contractor verifies its compliance with O.C.G.A. § 13-10-91, stating affirmatively that the individual, firm or corporation which is engaged in the physical performance of services on behalf of the Macon Water Authority has registered with, is authorized to use and uses the federal work authorization program commonly known as E-Verify, or any subsequent replacement program, in accordance with the applicable provisions and deadlines established in O.C.G.A. § 13-10-91. Furthermore, the undersigned contractor will continue to use the federal work authorization program throughout the contract period and the undersigned contractor will contract for the physical performance of services in satisfaction of such contract only with subcontractors who present an affidavit to the contractor with the information required by O.C.G.A. § 13-10-91(b). Contractor hereby attests that its federal work authorization user identification number and date of authorization are as follows:

Federal Work Authorization User Identification Number

Date of Authorization

Name of Contractor

Name of Project

Name of Public Employer: the Macon Water Authority

I hereby declare under penalty of perjury that the foregoing is true and correct.

Executed on _____, ___, 20__ in _____ (city), _____ (state).

Signature of Authorized Officer or Agent

Printed Name and Title of Authorized Officer or Agent

SUBSCRIBED AND SWORN BEFORE ME
ON THIS THE _____ DAY OF _____, 20__.

NOTARY PUBLIC

My Commission Expires: _____, 20__.

Subcontractor Affidavit under O.C.G.A. § 13-10-91(b)(3)

By executing this affidavit, the undersigned subcontractor verifies its compliance with O.C.G.A. § 13-10-91, stating affirmatively that the individual, firm or corporation which is engaged in the physical performance of services under a contract with _____
_____ [insert name of contractor] on behalf of the Macon Water Authority has registered with, is authorized to use and uses the federal work authorization program commonly known as E-Verify, or any subsequent replacement program, in accordance with the applicable provisions and deadlines established in O.C.G.A. § 13-10-91. Furthermore, the undersigned subcontractor will continue to use the federal work authorization program throughout the contract period and the undersigned subcontractor will contract for the physical performance of services in satisfaction of such contract only with sub-subcontractors who present an affidavit to the subcontractor with the information required by O.C.G.A. § 13-10-91(b). Additionally, the undersigned subcontractor will forward notice of the receipt of an affidavit from a sub-subcontractor to the contractor within five business days of receipt. If the undersigned subcontractor receives notice that a sub-subcontractor has received an affidavit from any other contracted sub-subcontractor, the undersigned subcontractor must forward, within five business days of receipt, a copy of the notice to the contractor. Subcontractor hereby attests that its federal work authorization user identification number and date of authorization are as follows:

Federal Work Authorization User Identification Number

Date of Authorization

Name of Subcontractor

Name of Project

Name of Public Employer: Macon Water Authority

I hereby declare under penalty of perjury that the foregoing is true and correct.

Executed on _____, ____, 20__ in _____ (city), _____ (state).

Signature of Authorized Officer or Agent

Printed Name and Title of Authorized Officer or Agent

SUBSCRIBED AND SWORN BEFORE ME
ON THIS THE _____ DAY OF _____, 20__.

NOTARY PUBLIC

My Commission Expires: _____, 20__.

Sub-subcontractor Affidavit under O.C.G.A. § 13-10-91(b)(4)

By executing this affidavit, the undersigned sub-subcontractor verifies its compliance with O.C.G.A. § 13-10-91, stating affirmatively that the individual, firm or corporation which is engaged in the physical performance of services under a contract for _____ [insert name of subcontractor or sub-subcontractor with whom such sub-subcontractor has privity of contract] and _____ [insert name of contractor] on behalf of the Macon Water Authority has registered with, is authorized to use and uses the federal work authorization program commonly known as E-Verify, or any subsequent replacement program, in accordance with the applicable provisions and deadlines established in O.C.G.A. § 13-10-91. Furthermore, the undersigned sub-subcontractor will continue to use the federal work authorization program throughout the contract period and the undersigned sub-subcontractor will contract for the physical performance of services in satisfaction of such contract only with sub-subcontractors who present an affidavit to the sub-subcontractor with the information required by O.C.G.A. § 13-10-91(b). The undersigned sub-subcontractor shall submit, at the time of such contract, this affidavit to _____ [insert name of subcontractor or sub-subcontractor with whom such sub-subcontractor has privity of contract]. Additionally, the undersigned sub-subcontractor will forward notice of the receipt of any affidavit from a sub-subcontractor to _____ [insert name of subcontractor or sub-subcontractor with whom such sub-subcontractor has privity of contract]. Sub-subcontractor hereby attests that its federal work authorization user identification number and date of authorization are as follows:

Federal Work Authorization User Identification Number

Date of Authorization

Name of Sub-subcontractor

Name of Project

Name of Public Employer

I hereby declare under penalty of perjury that the foregoing is true and correct.

Executed on _____, ____, 20__ in _____ (city), _____ (state).

Signature of Authorized Officer or Agent

Printed Name and Title of Authorized Officer or Agent

SUBSCRIBED AND SWORN BEFORE ME
ON THIS THE _____ DAY OF _____, 20__.

NOTARY PUBLIC

My Commission Expires: _____, 20__.

SECTION 00300

BID

TO: MACON WATER AUTHORITY

FROM: _____
(Bidder's Name)

FOR: **Lower Poplar WRF Digester #6 and Drying Bed Cleaning**

Submitted: _____, 20__

The undersigned Bidder, in compliance with your Invitation to Bid for the construction of this Project, having examined the Contract Documents and the site of the proposed Work, and being familiar with all of the conditions surrounding the construction of the proposed Project, including the availability of materials and labor, hereby proposes to construct the Project in accordance with the Contract Documents.

The Bidder proposes and agrees, if this Bid is accepted, to contract with the Macon Water Authority, in the form of Contract Agreement specified, and to furnish all necessary products, machinery, tools, apparatus, means of transportation and labor necessary to complete the construction of the Work in full and complete accordance with the reasonably intended requirements of the Contract Documents to the full and entire satisfaction of the Macon Water Authority with a definite understanding that no money will be allowed for extra work except as set forth in the Contract Documents, for the following prices:

Item No.	Quantity	Unit	Description	Unit Price	Total Price
1	DIGESTER #6				
a.	1	LS	Clean digester, lid, and transfer tank waste/sludge on-site utilizing vacuum trucks, pressure washer, etc. Vacuum all residual waste and wash water and dispose.		
2	DRYING BEDS				
a	10	LS	Clean drying beds and load material so as not to damage the drainage systems of drying beds. Haul materials to a waste disposal facility.		
3	CONTINGENCY ALLOWANCE				
a		LS	10%		
TOTAL BASE BID (ITEMS 1A-3A):					

Total Bid for Items 1 through 3a, inclusive, in the amount of

Dollars

(\$ _____) which sum hereinafter is called the "Base Bid".

The Bidder agrees hereby to commence Work under this Contract, with adequate personnel and equipment, on a date to be specified in a written order of the Engineer, and to fully complete all Work under this Contract within **One Hundred Fifty (150)** consecutive calendar days from and including said date specified in the written order of the Engineer. Bidder understands that time is of the essence for the work under this Contract, and timely completion of the Work is important for MWA's operations. Therefore, Bidder further agrees to pay as damages, the sum of **\$250.00** for each calendar day thereafter required to achieve substantial completion of all Work which Bidder agrees is a reasonable and good faith estimate of the damages that MWA would incur as a result in Bidder's delay in achieving substantial completion of the Work.

The Bidder declares an understanding that the quantities shown for unit price items are subject to either increase or decrease, and that should the quantities of any of the items of Work be increased, the Bidder proposes to do the additional Work at the unit prices stated herein; and should the quantities be decreased, the Bidder also understands that payment will be made on the basis of actual quantities at the unit price bid and will make no claim for additional costs or anticipated profits for any decrease in quantities; and that actual quantities will be determined upon completion of Work, at which time adjustment will be made to the Contract Price by direct increase or decrease.

In case of discrepancies between the figures shown in the unit prices and the totals, the unit prices shall apply and the totals shall be corrected to agree with the unit prices. In case of discrepancies between

written amounts and figures, written amounts shall take precedence over figures and the sum of all Bid extensions (of unit prices) plus lump sum items shall take precedence over the Bidder's represented BID TOTAL.

The Bidder furthermore agrees that, in the case of a failure to execute the Contract Agreement and Bonds within ten days after receipt of conformed Contract Documents for execution, the attached Bid Bond accompanying this Bid and the monies payable thereon shall be paid into the funds of the Macon Water Authority as damages for such failure.

Attached hereto is a Bid Bond for the sum of _____

_____ Dollars (\$ _____) according to the conditions of "Instructions to Bidders" and provisions thereof.

Bidder acknowledges receipt of the Following Addenda:

Addendum No. 1, dated: _____

Addendum No. 2, dated: _____

Addendum No. 3, dated: _____

Addendum No. 4, dated: _____

Remainder of Page Left Blank
[Signatures, attestations, and seal on following page]

BIDDER: _____

By: _____

Name: _____
(Print or Type)

Title: _____

Address: _____

Phone: _____

Attest: _____

Name: _____
(Print or Type)

Title: _____

(SEAL)

Note: Attest for a corporation must be by the secretary of record for the corporation, as reflected in the records of the Georgia Secretary of State; for a partnership by another partner; for an individual by a notary.

Note: If the Bidder is a corporation, the Bid shall be signed by an officer of the corporation; if a partnership, it shall be signed by a partner. If signed by others, authority for signature shall be attached.

The full names and addresses of persons or parties interested in the foregoing Bid, as principals, are as follows:

<u>Name</u>	<u>Address</u>
_____	_____
_____	_____
_____	_____
_____	_____
_____	_____

END OF SECTION

BID BOND

STATE OF GEORGIA

COUNTY OF MACON-BIBB

KNOW ALL MEN BY THESE PRESENTS, that we, _____, as Principal, and _____, as Surety, are held and firmly bound unto the Owner, the Macon Water Authority, in the sum of _____ Dollars (\$ _____) lawful money of the United States of America, for the payment of which sum well and truly to be made, we bind ourselves, our heirs, personal representatives, successors and assigns, jointly and severally, firmly by these presents.

WHEREAS, the Principal has submitted to the Owner a Bid for the **Lower Poplar WRF Digester #6 and Drying Bed Cleaning**.

NOW THEREFORE, the conditions of this obligation are such that if the Bid be accepted, the Principal shall, within ten days after receipt of conformed Contract Documents, execute a Contract in accordance with the Bid upon the terms, conditions and prices set forth therein, and in the form and manner required by the Contract Documents and execute sufficient and satisfactory separate Performance and Payment Bonds payable to the Owner, each in an amount of 100 percent of the total Contract Price, in form satisfactory to the Owner, then this obligation shall be void; otherwise, it shall be and remain in full force and effect in law; and the Surety shall, upon failure of the Principal to comply with any or all of the foregoing requirements within the time specified above, immediately pay to the aforesaid Owner, upon demand, the amount hereof in good and lawful money of the United States of America, not as a penalty, but as liquidated damages.

This bond is given pursuant to and in accordance with the provisions of the Georgia Procurement Manual and Georgia Local Government Public Works Construction Law, O.C.G.A. § 36-91-1 et. seq.. All the provisions of the law referring to this character of bond as set forth in said Manual or Code Sections or as may be hereinafter enacted and these are hereby made a part hereof to the same extent as if set out herein in full.

*Remainder of Page Left Blank
[Signatures, attestations, and seals on following page]*

IN WITNESS WHEREOF, the said Principal has hereunder affixed its signature and seal, and said Surety has hereunto caused to be affixed its corporate signature and seal, by its duly authorized officers, on this _____ day of _____, 20__.

CONTRACTOR - PRINCIPAL: _____

By: _____

Name: _____

(Print or Type)

Address: _____

Phone: _____

Attest: _____

Name: _____

(Print or Type)

Title: _____

(SEAL)

Note: Attest for a corporation must be by the secretary of record for the corporation, as reflected in the records of the Georgia Secretary of State; for a partnership by another partner; for an individual by a notary.

SURETY: _____

By: _____

Name: _____

(Print or Type)

Title: _____

Phone: _____

Attest: _____

Name: _____

(Print or Type)

Title: _____

(SEAL)

Note: Surety companies executing bonds must appear on the Treasury Department's most current list (Circular 570 as amended) and be authorized to transact business in the state where the Project is located.

END OF SECTION

SECTION 00420

STATEMENT OF BIDDER'S QUALIFICATIONS

All questions must be answered and the data given must be clear and comprehensive. This statement must be notarized. If necessary, questions may be answered on separate attached sheets. The Bidder may submit any additional information desired. Attach all additional sheets to this statement.

1. Name of Bidder: _____
2. Permanent main office address: _____
3. When organized: _____
4. If a Corporation, where incorporated: _____
5. How many years have you been engaged in the contracting business under your present firm or trade name? _____
6. Contracts on hand: (Schedule these, showing amount of each contract and the appropriate anticipated dates of completion): _____
7. General description of type of work performed by your company: _____

8. Have you ever failed to complete any work awarded to you? If so, where and why?

9. Have you ever defaulted on a contract? If so, where and why?

10. Attach a list of the most important projects recently completed by your company which are similar in scope to this Project. For each project, list its: official name and owner, a contact person's name, company and position, address and phone number; completion date; and contract amount.
11. Names, background and experience of the principal members of your organization, including officers: _____

Statement of Bidder's Qualifications

12. The undersigned hereby authorizes and requests any person, firm, or corporation to furnish any information requested by the Owner in verification of the recitals comprising this Statement of Bidder's Qualifications.

Dated this _____ day of _____, 20__.

BIDDER: _____

By: _____

Title: _____

State of _____

County of _____

_____ being duly sworn deposes and says that he or she is _____ of _____ and that the answers to the foregoing questions and all statements therein contained are true and correct. Subscribed and sworn to before me this _____ day of _____, 20__.

Notary Public: _____

(SEAL)

My Commission Expires: _____

(Date)

END OF SECTION

SECTION 00421

STATEMENT OF EQUIPMENT

Show machinery and other equipment available to the Bidder for prosecuting the Work required by the Contract Documents. (To be filled in by Bidder and submitted with Bid.)

Available Machinery and Other Equipment	Location	Ownership	Date Proposed To Be Placed On Work
--	----------	-----------	--

The above is a true statement of the equipment available to the undersigned Bidder for prosecuting the Work required by the Contract Documents. Where it is shown that the equipment is not owned by the Bidder, arrangements have been made with the owners to furnish the equipment.

Signed: _____

Name: _____

Title: _____

END OF SECTION

SECTION 00422

CORPORATE CERTIFICATE

I, _____, certify that I am the Secretary of the Corporation named as Bidder in the foregoing Bid; that _____, who signed said Bid on behalf of the Bidder was then _____ of said Corporation; that said Bid was duly signed for and on behalf of said Corporation by authority of its Board of Directors, and is within the scope of its corporate powers; that said Corporation is organized under the laws of the State of _____.

This _____ day of _____, 20____.

(Corporate Secretary) _____

(SEAL)

END OF SECTION

STATEMENT OF DISADVANTAGED FIRM UTILIZATION

The Bidder shall list all disadvantaged firms, as are defined in the Instructions to Bidders, providing subcontracting services, furnishing products or materials, etc., to be utilized in the performance of the work. This list shall be submitted in the following format:

Subcontractor (Name & Address)	Nature of Work to be Contracted	Group (Local, DBE)	Anticipated Cost of Services (\$ Value, %)
			\$
			%
			\$
			%
			\$
			%
			\$
			%
			\$
			%
			\$
			%
			\$
			%
			\$
			%

NOTE: Any proposed changes from the above list shall be submitted in writing to the Macon Water Authority prior to initiation of the action, with the reason for the proposed deviation.

END OF SECTION

SECTION 00425

CONTRACTOR'S LICENSE CERTIFICATION

Contractor's Name: _____

Georgia Contractor's License Number: _____

Expiration Date of License: _____

I certify that the above information is true and correct and that the classification noted is applicable to the Bid for this Project.

Signed: _____

Printed: _____

Date: _____

END OF SECTION

SECTION 00426

CONTRACTOR PERSONNEL SCREENING CERTIFICATION
Motor Vehicle Record (MVR) and Background Check Verification

Project / Location: Lower Poplar WRF Digester #6 and Drying Bed Cleaning

Contractor Company Name: _____

MWA Project Manager: Heather Veal_____

Contract Effective Date: _____

Contract End Date: _____

PURPOSE

To protect Macon Water Authority (MWA) facilities, employees, customers, and critical infrastructure, contractors performing work at MWA locations are required to screen personnel assigned to work on-site. These requirements support MWA’s risk management practices, insurance obligations, and overall site security expectations.

CONTRACTOR RESPONSIBILITIES

- Conduct background checks on all employees, subcontractors, and representatives assigned to perform work at MWA facilities including MWA customer locations.
- Conduct Motor Vehicle Record (MVR) reviews for all personnel operating vehicles or equipment in connection with work performed for MWA.
- Ensure screenings are completed by the Contractor, at the Contractor’s expense, and in compliance with all applicable laws and employment regulations.
- Not assign personnel who present safety, security, or driving risks based on screening results.
- Maintain documentation of completed screenings and provide confirmation of compliance to MWA upon request.
- Ensure newly assigned personnel complete required screenings prior to receiving site access.

INSURANCE AND RISK ACKNOWLEDGMENT

The Contractor acknowledges that these screening requirements are part of MWA’s loss prevention and insurance risk management practices. Failure to comply may result in removal from the project site, denial of access, contract termination, or potential liability exposure for damages, incidents, or losses arising from inadequate personnel screening.

MWA does not conduct, manage, or retain contractor screening records. Responsibility for compliance rests solely with the Contractor.

CERTIFICATION

I certify that my company will comply with the requirements outlined above and will ensure all personnel assigned to MWA facilities meet these standards.

Authorized Contractor Representative Name: _____

Title: _____

Signature: _____

Date: _____

CONTRACTOR'S CERTIFICATION OF AUTHORITY
(IF OUT OF STATE CONTRACTOR)

Contractor's Name: _____

Georgia Certificate of Authority Number: _____

Expiration Date of Certificate: _____

I certify that the above information is true and correct and that the classification noted is applicable to the Bid for this Project.

Signed: _____

Printed: _____

Date: _____

END OF SECTION

SECTION 00480

NON-COLLUSION AFFIDAVIT OF PRIME BIDDER

STATE OF GEORGIA COUNTY OF _____
_____, being first duly sworn, deposes and says that:

He or she is _____
(Owner, Partner, Officer, Representative or Agent)
of _____, the Bidder that has submitted the attached Bid;

He or she is fully informed respecting the preparation and contents of the attached Bid and of all pertinent circumstances respecting such Bid;

He or she understands that collusive bidding is a violation of State and Federal law and can result in fines, prison sentences, and civil damages awards;

Such Bid is genuine and is not a collusive or sham Bid;

Neither the said Bidder nor any of its officers, partners, owners, agents, representatives, employees or parties in interest, including this Affiant, has in any way colluded, conspired, connived or agreed, directly or indirectly with any other Bidder, firm or person to submit a collusive or sham Bid in connection with the Contract for which the attached Bid has been submitted or to refrain from bidding in connection with such Contract, or has in any manner, directly or indirectly, sought by agreement or collusion or communication or conference with any other Bidder, firm or person to fix the price or prices in the attached Bid or of any other Bidder, or to fix any overhead, profit or cost element of the Bid price or the Bid price of any other Bidder, or to secure through any collusion, conspiracy, connivance or unlawful agreement any advantage against the Owner, the Macon Water Authority, or any person interested in the proposed Contract; and

The price or prices quoted in the attached Bid are fair and proper and are not tainted by any collusion, conspiracy, connivance or unlawful agreement on the part of the Bidder or any of its agents, representatives, owners, employees, or parties in interest, including this Affiant. Affiant agrees to abide by all conditions of this Bid, and certifies that he or she is authorized to sign this Bid for the Bidder.

(Signed) _____

(Title) _____

Subscribed and Sworn to before me this _____ day of _____, 20__.

(Notary Public)
(SEAL)

My Commission Expires: _____

Note: If the Bidder is a partnership, all of the partners and any officer, agent or other person who may have represented or acted for the partnership shall also make the foregoing oath. If the Bidder is a corporation, all officers, agents, or other persons who may have acted for or represented the corporation shall also make the oath.

END OF SECTION

CONTRACT AGREEMENT

AGREEMENT BETWEEN CONTRACTOR AND OWNER

THIS AGREEMENT is made and entered into on the ___ day of _____ in the year Two Thousand and _____ (20___) by and between _____, hereinafter referred to as the “Contractor”, and THE MACON WATER AUTHORITY, hereinafter (the “Owner”) (collectively, “the Parties”).

WITNESSETH, that the Contractor and the Owner, for the consideration hereinafter named, agree as follows:

1. **SCOPE OF WORK.** - That the Contractor will furnish all products, tools, construction equipment, materials, skill and labor of every description necessary to carry out and to complete in a good, firm, substantial workmanlike manner perform the Lower Poplar WRF Digester #6 and Drying Bed Cleaning project and will complete the Work in strict conformity with the Drawings and the Specifications (Divisions 01 through 46, inclusive, together with the foregoing Bid made by the Contractor, the Invitation to Bid, Instructions to Bidders, General and Supplementary Conditions, Special Conditions, Performance and Payment Bonds and all Addenda hereto incorporated (if applicable) which form essential parts of this Contract Agreement, as if fully contained herein, the same collectively referred to as the “Contract Documents.”

2. **TIME OF COMPLETION.**-The Contractor shall commence the Work to be performed under this Contract Agreement on a date to be specified in a written Notice to Proceed and shall achieve substantial completion of all Work required by the Contract Documents within **One-Hundred Fifty(150) consecutive calendar days** (the “Contract Time”). Time is of the essence and is an essential element of this Contract, and the Contractor shall pay to the Owner, not as a penalty, but as liquidated damages, the sum of **Two Hundred Fifty Dollars (\$250.00)** for each calendar day for which there is an unexcused delay in achieving substantial completion of the Work within the time limit set forth herein. These liquidated damages are not established as a penalty but are reasonably calculated and agreed upon in advance by the Owner and the Contractor due to the uncertainty and impossibility of making a determination as to the actual and consequential damages incurred by the Owner and the general public of Macon-Bibb County, Georgia as a result of the failure on the part of the Contractor to achieve substantial completion of the Work on time. Such liquidated damages referred to herein are intended to be and are cumulative and shall be in addition to every other remedy now or hereafter enforceable at law, in equity, by statute, or under the Contract Documents.

3. **THE CONTRACT PRICE.**-The Owner shall pay to the Contractor for the faithful performance of the Contract Agreement, subject to additions and deductions as provided for in the Contract Documents, in current funds a sum of _____ Dollars (\$ _____ .00) (the “Contract Price”) which sum shall also pay for loss or damage arising out of the nature of the Work aforesaid, or from the action of the elements, or from unforeseen obstructions or difficulties encountered in the prosecution of the Work, and for all expenses incurred by, or in consequence of the Work, its suspension or discontinuance and for well and faithfully completing the Work and the whole thereof, as herein provided, and for replacing

defective Work or products for a period of one year after completion.

4. PROGRESS PAYMENTS The Owner shall make progress payments on account of the Contract Price as follows: On or about the 20th day of each month, ninety-five percent (95%) of the value, based on the contract prices, of labor and materials incorporated in the Work and of materials suitably stored at the site thereof up to the twenty-fifth day of the month preceding, as estimated by the Engineer, less the aggregate of previous payments. Application for Payment must be made on the standard Owner's form to be provided by the Owner to the Contractor. No form of collateral in lieu of cash will be acceptable as retainage. At the discretion of the Owner, the retainage of each Subcontractor may be released separately as each Subcontractor completes its work. An application for release of a Subcontractor's retainage shall bear the certificates of the Subcontractor, the Contractor, and the Engineer that the Subcontractor's work has been fully performed and that the sum for which payment is requested is due by the Contractor to the Subcontractor. Checks releasing a Subcontractor's retainage shall be made payable to the Contractor, the Contractor's surety, and the Subcontractor, and shall be mailed to the Contractor's surety. This Article does not create any contractual relationship between the Owner and the Subcontractor or any duty of the Owner to any Subcontractor. Payments pursuant to this Article shall in no way diminish, change, alter or affect the rights of the Owner under the Contract Documents.

5. FINAL PAYMENT.-(a)-Final payment including retainage, shall be due 30 days after the date of notice from the Owner of the final acceptance of the Work, provided that all other requirements of the Contract Documents shall have been met in full. Final payment shall be made by a check payable jointly to the Contractor and surety and shall be mailed to the surety.

(b)-Upon receipt of written notice from the Contractor pursuant to Article 30 of the General Conditions that the Work is ready for final inspection, the Engineer shall promptly make such inspection, and when he/she finds the Work complies with the Contract Documents, and when the Contract shall have been fully performed the Engineer shall promptly issue a final certificate of recommendation to the Owner, over the Engineer's signature, stating that the Work required by the Contract Documents has been completed under the terms and conditions thereof, and that the entire balance of the Contract Price found to be due to the Contractor and noted in said final certificate, is due and payable.

(c)-Before issuance of a final certificate of recommendation, the Contractor shall submit evidence satisfactory to the Engineer that all payrolls, material bills, and all other indebtedness in connection with the Work has been paid in full.

(d)-If full completion of the Work is materially delayed through no fault of the Contractor, and the Engineer so certifies same, the Owner shall, upon certificate of the Engineer, and without terminating the Contract, make payment of the balance due for that portion of the Work fully completed. Such payment shall be made under the terms and conditions of the General Conditions governing final payment, except that it shall not constitute a waiver of claims.

6. NO ASSIGNMENT.- This Contract and the proceeds of this Contract may not be assigned nor may the performance thereunder be assigned, except with the prior written consent of the Owner.

7. BONDS. – The Contractor shall furnish both a performance bond and a payment bond and shall pay the premium thereon. The performance bond shall guarantee the full performance of the Contract.

Remainder of Page Left Blank

[Signatures, attestations, and seals on following page]

IN WITNESS WHEREOF, the parties hereto have executed this Contract Agreement under their respective seals on the day and date first above written in six counterparts, each of which shall, without proof or accounting for the other counterparts, be deemed an original Contract.

Signed, sealed, and delivered in the presence of:

THE MACON WATER AUTHORITY

1. _____

By: _____
Gary Bechtel, Chairman

2. _____

Attest: _____
Michel Wanna, Interim Executive Director & President

(Official Seal)

Signed, sealed, and delivered in the presence of:

CONTRACTOR: _____

1. _____

By: (Signed) _____

2. _____

(Printed) _____

Attest: (Signed) _____

(Printed) _____

(Secretary)

(Corporate Seal)

APPROVED AS TO FORM

(Printed Name)

Attorney for the Macon Water Authority

END OF SECTION

PRE-AWARD OATH

STATE OF GEORGIA
COUNTY OF _____

In accordance with O.C.G.A. 36-91-21(e), we, the undersigned of _____

being first duly sworn, depose and say that:

We have not directly or indirectly violated O.C.G.A. 36-91-21(d), and more specifically, we have not

- prevented or attempted to prevent competition in such bidding or proposals by any means whatever,
- prevented or endeavored to prevent anyone from making a bid or proposal thereof by any means whatever, nor
- caused or induced another to withdraw a bid or proposal for the work.

We, the undersigned, to the best of our knowledge, affirm that no other officers, agents or other persons acted for or represented the Contractor in the bidding for and procurement of this Contract.

Signature	Printed Name	Title	Date
_____	_____	_____	_____
_____	_____	_____	_____
_____	_____	_____	_____
_____	_____	_____	_____

_____ My Commission Expires: _____
(Notary Public)

(SEAL)

END OF SECTION

PERFORMANCE BOND

Bond No. _____

KNOW ALL MEN BY THESE PRESENTS:

That

(Legal title and address of the Contractor)

as Principal (hereinafter referred to as "Contractor"), and _____

(Legal title and address of Surety)

as Surety (hereinafter referred to as "Surety"), do hereby acknowledge ourselves indebted and firmly bound and held unto the Macon Water Authority (the "Owner") in the amount of _____ Dollars (\$ _____ .00) to which payment Contractor and Surety bind themselves, their heirs, executors, administrators, successors and assigns, jointly and severally, firmly by these presents.

WHEREAS, the above bound Principal has entered into a Contract with Owner bearing date of _____ for construction of **Lower Poplar WRF Digester #6 and Drying Bed Cleaning** Project in accordance with Contract Documents prepared by Owner all of which said Contract Documents are incorporated herein by reference and made a part hereof, and are hereinafter collectively referred to as the "Contract."

NOW THEREFORE, THE CONDITION OF THIS OBLIGATION is such that, if the Contractor shall promptly and faithfully perform and comply with the terms and conditions of said Contract; and shall indemnify and save harmless the Owner against and from all costs, expenses, damages, injury or loss to which said Owner may be subjected by reason of any wrongdoing, including patent infringement, misconduct, want of care or skill, default or failure of performance on the part of said Principal, his agents, subcontractors or employees, in the execution or performance of said Contract, and shall fully reimburse and repay the said Owner any and all outlay, costs, and expense which it may incur in making good any such default and shall guarantee all products and workmanship against defects, as provided in the Contract Documents which comprise and constitute the Contract, for a period of one year and shall replace all defective work and products for such period of one year then this obligation shall be null and void; otherwise it shall remain in full force and effect.

- 1. The said Surety to this bond, for value received, hereby stipulates and agrees that no change or changes, extension of time or extensions of time, alteration or alterations or addition or additions to the terms of the Contract or to the Work to be performed thereunder, or the specifications or drawings accompanying same shall in any wise affect its obligations on this bond, and it does hereby waive notice of any such change or changes, extension of time or

extensions of time, alteration or alterations or addition or additions to the terms of the Contract or to the Work or to the specifications or drawings.

2. It is expressly agreed that this bond shall be amended automatically and immediately, without formal and separate amendments hereto, upon amendment to the Contract not increasing the Contract Price more than 20 percent in excess of the original Contract Price, so as to bind the Principal and Surety to the full and faithful performance of the Contract as so amended. The term "amendment" shall include any alteration, addition, extension, or modification of any character whatsoever.
3. If pursuant to the Contract Documents the Contractor shall be declared in default by the Owner under the aforesaid Contract, the Owner shall take possession of the Project and finish the Work by whatever method the Owner may deem expedient, in accordance with Article 7 of the General Conditions.
4. Supplementary to and in addition to the foregoing, whenever the Owner shall notify the Surety that the Owner has notice that the Contractor has failed to pay any subcontractor, materialman, or laborer for labor or materials certified by the Contractor as having been paid for by the Contractor, the Surety shall, within thirty (30) days of receipt of such notice, cause to be paid any unpaid amount for such labor or materials.
5. It is expressly agreed by the Principal and the Surety that the Owner, if it desires to do so, is at liberty to make inquiries at any time of subcontractors, laborers, materialmen, or other parties concerning the status of payments for labor, materials, or services furnished in the prosecution of the work.
6. The Surety agrees that other than as is provided in this bond it may not demand of the Owner that the Owner shall (a) perform any thing or act, (b) give any notice, (c) furnish any clerical assistance, (d) render any service, (e) furnish any papers or documents, or (f) take any action of any nature or description which is not required of the Owner to be done under the Contract Documents.
7. No right of action shall accrue on this bond to or for the use of any person or corporation other than the Owner named herein or the legal successors of the Owner.

This bond is given pursuant to and in accordance with the provisions of the Georgia Procurement Manual and of Title 36, Chapter 91 of the Official Code of Georgia Annotated, as may be amended or modified from time to time, and all the provisions of the law referring to this character of bond as set forth in said sections or as may be hereafter enacted or amended and these are hereby made a part hereof to the same extent as if set out in full herein.

Remainder of Page Left Blank

[Signatures, attestations, and seals on following Page]

Performance Bond

Signed and sealed this _____ day of _____, 20__.

Signed, sealed and delivered
in the presence of:

(Insert Name of Contractor)

1. _____

By: (Signed)_____

(Printed)_____

2. _____

Attest :(Signed) _____

(Printed)_____

(CORPORATE SEAL)

Signed, sealed and delivered
in the presence of:

(Insert Name of Surety)

1. _____

By: (Signed)_____

(Printed)_____

2. _____

Attest :(Signed) _____

(Printed)_____

(CORPORATE SEAL)

APPROVED AS TO FORM:

(Printed Name)

Attorney for the Macon Water Authority

END OF SECTION

PLACE SURETY FOR PERFORMANCE BOND HERE

PAYMENT BOND

Bond No. _____

KNOW ALL MEN BY THESE PRESENTS:

That

(Legal title and address of the Contractor)

as Principal (hereinafter referred to as "Contractor"), and _____

(Legal title and address of Surety)

as Surety (hereinafter referred to as "Surety"), do hereby acknowledge ourselves indebted and firmly bound and held unto the Macon Water Authority (the "Owner"), in the amount of _____ Dollars (\$ _____ .00) to which payment Contractor and Surety bind themselves, their heirs, executors, administrators, successors and assigns, jointly and severally, firmly by these presents.

WHEREAS, the above bounden Principal has entered into a Contract with Owner bearing date of _____ for construction of **Lower Poplar WRF Digester #6 and Drying Bed Cleaning** Project in accordance with the Contract Documents prepared by Owner, all of which said Contract Documents are incorporated herein by reference and made a part hereof, and are hereinafter collectively referred to as the "Contract."

NOW THEREFORE, THE CONDITION OF THIS OBLIGATION is such that if the Contractor shall promptly make payment to all claimants as hereinafter defined for all labor and material supplied in the prosecution of the work provided for in said Contract Documents, then this obligation shall be void; otherwise it shall remain in full force and effect, subject, however, to the following conditions:

1. The said Surety to this bond, for value received, hereby stipulates and agrees that no change or changes, extension of time or extensions of time, alteration or alterations or addition or additions to the terms of the Contract or to the Work to be performed thereunder, or the specifications or drawings accompanying same shall in any wise affect its obligations on this bond, and it does hereby waive notice of any such change or changes, extension of time or extensions of time, alteration or alterations or addition or additions to the terms of the Contract or to the work or to the specifications or drawings.
2. It is expressly agreed that this bond shall be amended automatically and immediately, without formal and separate amendments hereto, upon amendment to the Contract Documents not increasing the Contract Price more than 20 percent in excess of the original Contract Price, so as to bind the Contractor and Surety to the full and faithful performance of the Contract as so amended. The term "amendment" shall include any alteration, addition, extension, or modification of any character whatsoever.

3. A Claimant is defined as any subcontractor and any person supplying labor, materials, machinery, or equipment in the prosecution of the Work provided for in said Contract.
4. Every person or entity entitled to the protection hereunder and that has not been paid in full for labor or materials furnished in the prosecution of the Work referred to in said bond before the expiration of a period of ninety days after the day on which the last of the labor was done or performed by them, or materials or equipment or machinery was furnished or supplied by them for which such claim is made, or when they have completed its subcontract for which claim is made, shall have the right to sue on such payment bond for the amount, or the balance thereof, unpaid at the time of the commencement of such action and to prosecute such action to final execution and judgment for the sum or sums due them; provided, however, that any person or entity having direct contractual relationship with a subcontractor, but no contractual relationship, express or implied, with the Contractor, shall have the right of action upon this bond upon giving written notice to said Contractor within ninety days from the day on which such person or entity did or performed the last of the labor, or furnished the last of the materials or machinery or equipment for which such claim is made, stating with substantial accuracy the amount claimed and the name of the party to whom the materials were furnished or supplied or for whom the labor was performed or done; provided further that nothing contained herein shall limit the right of action to said 90-day period. Notice may be served by depositing a notice, registered mail, postage prepaid, duly addressed to the Contractor at any place the Contractor maintains an office or conducts business, including any post office or branch post office or any letter box under the control of the United States Postal Service, or notice may be served in any manner in which the sheriffs of Georgia are authorized by law to serve summons or process.
5. Every suit instituted under this section shall be brought in the name of the claimant without the Owner being made a party thereto. The official who has the custody of said bond is authorized and directed to furnish, to any person or entity making application therefor who submits an affidavit that it has supplied labor or material for such work and payment therefor has not been made, or that it is being sued on any such bond, a copy of such bond and the Contract for which it was given, certified by the official who has custody of said bond; this copy shall be primary evidence of this bond and Contract and shall be admitted as evidence without further proof. Applicants shall pay for such certified copies and such certified statements such as fees as the official fixes to cover the cost of preparation thereof, but in no case shall the fee exceed the fees which the clerks of the superior courts are permitted to charge for similar copies.
6. No action can be instituted on this bond after one year from the date of the final acceptance of the Owner.

This bond is given pursuant to and in accordance with the provisions of the Georgia Procurement Manual and of Title 36, Chapter 91 of the Official Code of Georgia Annotated, as may be amended or modified from time to time, and all the provisions of the law referring to this character of bond as set forth in said sections or as may be hereafter enacted or amended and these are hereby made a part hereof to the same extent as if set out in full herein.

[Signatures, attestations, and seals on following Page]

Signed and sealed this _____ day of _____, 20__

Signed, sealed and delivered
in the presence of:

(Insert Name of Contractor)

1. _____

By: (Signed) _____

(Printed) _____

2. _____

Attest: (Signed) _____

(Printed) _____

(CORPORATE SEAL)

Signed, sealed and delivered
in the presence of:

(Insert Name of Surety)

1. _____

By: (Signed) _____

(Printed) _____

2. _____

Attest: (Signed) _____

(Printed) _____

(CORPORATE SEAL)

APPROVED AS TO FORM:

(Printed Name)

Attorney for the Macon Water Authority

END OF SECTION

PLACE SURETY FOR PAYMENT BOND HERE

SECTION 00700

GENERAL CONDITIONS

Article 1. - Notice of Award of Contract..... 00700-2
Article 2. - Execution of Contract Documents..... 00700-2
Article 3. - Contract Security..... 00700-2
Article 4. - Insurance..... 00700-3
Article 5. - Hazards and Indemnification..... 00700-5
Article 6. - Notice to Proceed..... 00700-6
Article 7. - Termination of Work for Default..... 00700-6
Article 8. - Termination for Convenience of Owner..... 00700-7
Article 9. - Assignments..... 00700-8
Article 10. - Subcontractors, Materialmen, Suppliers and Employees..... 00700-8
Article 11. - Engineer..... 00700-11
Article 12. - Separate Contracts..... 00700-12
Article 13. - Laws and Regulations..... 00700-13
Article 14. - Taxes..... 00700-14
Article 15. - Notice and Service Thereof..... 00700-14
Article 16. - Patents and Royalties..... 00700-15
Article 17. - Land and Rights-of-Way..... 00700-15
Article 18. - Products..... 00700-15
Article 19. - Supervision of Work..... 00700-16
Article 20. - Interruption of Facility Operations..... 00700-16
Article 21. - Protection of Work, Property and Persons..... 00700-17
Article 22. - Protection of the Environment..... 00700-18
Article 23. - Protection, Location and Relocation of Utilities..... 00700-18
Article 24. - Schedules, Reports and Records..... 00700-19
Article 25. - Drawings and Specifications..... 00700-21
Article 26. - Surveys and Permits..... 00700-23
Article 27. - Testing, Inspection and Rejection of Work..... 00700-23
Article 28. - Contract Time and Damages..... 00700-25
Article 29. - Changes in the Work..... 00700-27
Article 30. - Payments and Completion..... 00700-33
Article 31. - Certificates of Payment..... 00700-37
Article 32. - Payments Withheld..... 00700-38
Article 33. - Notice of Commencement..... 00700-38
Article 34. - Correction of Work after Final Payment..... 00700-39
Article 35. - Cash Allowances..... 00700-40
Article 36. - Contractor's Warranty as to Performance..... 00700-40
Article 37. - Claims..... 00700-40
Article 38. - Use of Premises..... 00700-42
Article 39. - Specification Arrangement..... 00700-42
Article 40. - Valuable Material, Geological Specimens..... 00700-42

Article 41. - Definitions..... 00700-42

Article 1. - Notice of Award of Contract. Within sixty (60) days after receipt of Bids, the Owner will notify the successful Bidder of the award of the Contract. Should the Owner require additional time to award a Contract, the time may be extended by the mutual agreement between the Owner and the successful Bidder. If an award of Contract has not been made within 60 days from the Bid date or within the extension mutually agreed upon, the Bidder may withdraw the Bid without further liability on the part of either party.

Article 2. - Execution of Contract Documents. (a) *Time Limits.*—Within fifteen (15) days of notification of Award of Contract, the Owner will furnish the Contractor with conformed copies of Contract Documents for execution by the Contractor and the surety. The Contractor and its surety must execute the bond forms contained in the conformed Contract Documents without any changes. Within ten (10) days after receipt, the Contractor shall return all the Contract Documents properly executed by the Contractor and the surety. Attached to each set of Contract Documents shall be original powers-of-attorney for the person executing the Bonds for the surety and certificates, endorsements, and declarations of insurance for the required insurance coverages, all as required by Article 3 and Article 4. Within thirty (30) days after receipt of the conformed Contract Documents properly completed and executed by the Contractor and the surety together with the power-of-attorney, and the proper certificates, endorsements and declarations of insurance, the Owner will complete the execution of the Contract Documents. Distribution of the completed Documents will be made upon execution by the Owner.

(b) *Failure of Contractor or Surety to Execute Documents.*—Should the Contractor or the surety fail to properly execute the Documents within the specified time the Owner will have the right to proceed on the Bid Bond accompanying the Bid.

(c) *Failure of Owner to Execute Documents.*—If the Owner fails to execute the Documents within the time limit specified, the Contractor will have the right to withdraw the Bid without penalty. In such event the Owner will have no liability to the Contractor under these Documents or otherwise.

(d) *Extensions of Time.*—Should either party require an extension of any of the time limits stated above, this shall be done only by mutual agreement between both parties.

(e) *Changes to Documents.*-- Insertion, addition, alteration, modification, revision, or deletion of any text, verbiage, provision, statement, term, condition, or other component of the Contract Documents, whether textual, numerical, or pictorial, is prohibited and no such unilateral change to the Contract Documents shall be binding. In the event the Owner discovers any attempt by the Contractor to modify the Contract Documents by insertion, addition, alteration, revision, or deletion of any text, verbiage, provision, statement, term, condition, or other portion of the Contract Documents without the written assent and approval of the Owner, the Owner shall have grounds to withdraw the contract award, terminate all proceedings related to contractual relationship with the Contractor for the subject Project, and to award the contract to the next bidder which met the requirements of the invitation to bid.

(f) *Incorporation of Prior Agreements.* — All agreements between the parties are incorporated into this Agreement. In the event of any conflict or inconsistency between this Agreement and any provisions, terms or conditions of any other prior agreement, the provisions, terms and conditions of this Agreement shall supersede, control and prevail over the conflicting or inconsistent provisions of the prior agreement.

Article 3. - Contract Security.—The Contractor shall furnish separate Performance and Payment Bonds each in a sum equal to the amount of the Contract Price on the Owner’s forms. Such Bonds shall be executed by the Contractor and a bonding company licensed to transact such business in Georgia and named on the current list of “Companies Holding Certificates of Authority as Acceptable Sureties on Federal Bonds” as published in the Treasury Department Circular Number 570. The expense of these Bonds shall be borne by the Contractor.

If at any time a surety on any such Bond is declared bankrupt, becomes insolvent, loses its right to do business in Georgia or is removed from the list of Surety Companies accepted on Federal Bonds, the Contractor shall, within ten (10) days after notice from the Owner to do so, substitute acceptable Bonds in such form and sum and signed by such other surety as may be satisfactory to the Owner. The premium on such substitute Bonds shall be paid by the Contractor. No further progress payments shall be deemed due, nor shall any be made, until the new surety furnishes acceptable Bonds to the Owner. The person executing the substitute Bonds on behalf of the surety shall submit with the Bonds valid powers-of-attorney certified to by an official of said surety company.

Article 4. - Insurance—Proof of insurance coverage and furnishing of insurance policies acceptable to the Owner shall be as set forth in this Article.

(a) *Policies, Certificates, Limits and Disposition of Documents.*—The Contractor shall obtain at his expense insurance with limits as shown hereinbelow, unless the Contractor desires to broaden the limits and obtain more protection. The Contractor shall provide the Owner with all insurance documentation and evidence of insurance as required herein, and updated certificates of all insurance required herein must be provided to the Owner at least quarterly until Final Payment.

(1) **WORKER'S COMPENSATION AND EMPLOYER’S LIABILITY INSURANCE.**—The Contractor shall procure and maintain Worker's Compensation and Employers Liability Insurance for all of his employees to be engaged in Work on the project under this contract, and in case any such Work is sublet, the Contractor shall require the Subcontractor similarly to provide Worker's Compensation and Employer’s Liability Insurance for all of the latter's employees to be engaged in such work unless such employees are covered by the protection afforded by the Contractor's insurance. Worker's Compensation insurance policies shall include GEORGIA under Section 3A and shall include Other States coverage and Voluntary Compensation.

Worker’s Compensation Limits: Statutory

Employers Liability Limits:

Each Accident	\$1,000,000
Disease - Policy Limit	\$1,000,000
Disease - Each Employee	\$1,000,000

Contractor waives all rights against Owner and its agents, officers, directors, and employees for recovery of damages to the extent these damages are covered by the worker's compensation and employer's liability or commercial umbrella liability insurance obtained by Contractor pursuant to Article 4 of this agreement. The Waiver of Our right To Recover From Others Endorsement, ISO Form SC 00 03 13 shall be attached to the policy showing the Owner listed in the Schedule.

Disposition: Certificate(s) of insurance showing the required coverage and copy of declaration page must be returned to the Owner with properly executed Contract Documents. If requested by the Owner, Contractor shall also provide a certified copy of the policy(ies) required by Article 4(a)(1).

(2) COMMERCIAL GENERAL AND UMBRELLA LIABILITY INSURANCE.—The Contractor shall procure and shall maintain commercial general liability (CGL) and if necessary, commercial umbrella insurance with a limit of not less than \$2,000,000 each occurrence, as shall protect him and any Subcontractor performing Work covered by this Contract from claims for damages for bodily injury, including accidental death, as well as from claims for property damages, which may arise from operations under the Contract Agreement, whether such operations are by himself or by any Subcontractor or by anyone directly or indirectly employed by either of them.

CGL insurance shall be written on ISO occurrence form CG 00 01 10 93 (or substitute form providing equivalent coverage) and shall cover liability arising from premises, operations, independent contractors, products-completed operations, personal injury and advertising injury, and liability assumed under an insured contract (including the tort liability of another assumed in a business contract). If such CGL insurance contains a general aggregate limit, it shall apply separately to this project, (Per Project Aggregate Endorsement). Each policy shall be indorsed with ISO Form CG 25 03 11 85 or equivalent form with wording satisfactory to Owner.

The Owner shall be included as an additional insured under the CGL, using ISO additional insured endorsement CG 20 33 or a substitute providing equivalent coverage, and under the commercial umbrella, if any. This insurance shall apply as primary insurance with respect to any other insurance or self-insurance programs afforded to the Owner.

There shall be no endorsement or modification of the CGL limiting the scope of coverage for liability arising from explosion, collapse, or underground property damage.

Contractor waives all rights against the Owner and its agents, officers, directors, and employees for recovery of damages to the extent these damages are covered by commercial general liability or commercial umbrella liability insurance maintained pursuant to Article 4 of this agreement.

Disposition: Certificate(s) of insurance showing the required coverage and copy of

declaration page must be returned to the Owner with properly executed Contract Documents. If requested by the Owner, Contractor shall also provide a certified copy of the policy(ies) required by Article 4(a)(2).

(3) BUSINESS AUTO AND UMBRELLA LIABILITY INSURANCE.—The Contractor shall procure and shall maintain business automobile liability, and if necessary, commercial umbrella liability insurance with a limit of not less than \$2,000,000 each occurrence.

Such insurance shall cover liability arising out of any auto (including owned, hired, and non-owned autos).

Business auto coverage shall be written on ISO form CA 00 01, CA 00 05, CA 00 12, CA 00 20 or a substitute form providing equivalent liability coverage. If necessary, the policy shall be endorsed to provide contractual liability coverage equivalent to that provided in the 1990 and later editions of ISO form CA 00 01. This insurance shall apply as primary insurance with respect to any other insurance or self-insurance programs afforded to the Owner. Owner is named as additional insured.

Contractor waives all rights against the Owner and its agents, officers, directors, and employees for recovery of damages to the extent these damages are covered by the business auto liability or commercial umbrella liability insurance obtained by Contractor pursuant to Article 4 of this agreement or under any applicable auto coverage.

Disposition: Certificate(s) of insurance showing the required coverage and copy of declaration page must be returned to the Owner with properly executed Contract Documents. If requested by the Owner, Contractor shall also provide a certified copy of the policy(ies) required by Article 4(a)(2).

Cross-Liability Coverage.—If Contractor’s liability policies do not provide the standard ISO separation of insureds provision, or a substantially similar clause, they shall be endorsed to provide cross-liability coverage.

(3) By proper endorsement, the policy must name

MACON WATER AUTHORITY
790 Second Street
P. O. Box 108
Macon, GA 31202

as an additional insured and shall provide for not less than thirty (30) days prior written notice before cancellation or any material change in the policy, except for non-payment of premium which shall require ten (10) days prior written notice of cancellation, to the Owner.

(4) Commercial Umbrella/Excess Policy:

Contractor shall procure a commercial umbrella or excess policy with a limit of no less than \$5,000,000. Coverage must follow form over underlying policies including GL, Auto and Employer's Liability insurance.

(5) MATERIALS AND EQUIPMENT FLOATER. - The Contractor shall procure, and shall maintain during the performance of the Contract Agreement, Materials and Equipment Floater (May be labeled as *Equipment Floater* or Installation Floater or Builders Risk) Insurance to protect the interests of the Owner, the Contractor and Subcontractors against loss by vandalism, malicious mischief, and all hazards included in a standard All Risk Endorsement. The amount of insurance shall at all times equal or exceed the amount of the materials in the Contract + \$30k for Owner furnished materials. The policies shall be in the names of the Owner and the Contractor.

Disposition: Original policy must be returned to the Owner with properly executed Contract Documents. Owner may accept with returned, executed Contract Documents in lieu of an original policy, an insurance binder evidencing the policy coverage, but Contractor shall not be relieved of the obligation to furnish the actual policy.

Endorsement on Materials and Equipment Floater Policy.—There shall be attached to and made a part of the insurance policy for MATERIALS AND EQUIPMENT FLOATER an endorsement of the insurance company in accordance with the specimen shown in preceding Paragraph (a)(3).

Article 5. - Hazards and Indemnification. (a) *Hazards.* —The Contractor shall be responsible from the time of his execution of the Contract Documents or from the time of the beginning of the first work, whichever shall be earlier, for all injury or damage of any kind resulting from the Work to persons or property regardless of who may be the owner of the property. It is the intention of this paragraph to shift the full and complete risk of all such loss to the Contractor for the period of construction and until notice from the Owner of the final acceptance of the Work is made in accordance with Article 30, regardless of whether or not any particular hazard shall be insured against.

(b) *Indemnification.*—In addition to the liability imposed upon the Contractor on account of bodily injury (including death) or property damage, which liability is not impaired or otherwise affected hereby, the Contractor assumes the obligation to save the Owner harmless and to indemnify and defend the Owner, the Engineer and their agents and employees from and against all claims, damages, losses and expenses including claims consultant's and attorney's fees arising out of or through bodily injury, sickness, disease or death of any person or persons or damage to property (regardless of who may be the owner of the property) including the loss of use resulting therefrom arising out of or suffered through any act or omission of the Contractor or any Subcontractor, or anyone either

- (1) directly or indirectly employed by the Contractor, or
- (2) under the supervision of the Contractor or any subcontractor in the prosecution of the Work required by the Contract Documents.

In any and all claims against the Owner or the Engineer, or any of their agents or employees, by any

employee of the Contractor, any Subcontractor, anyone directly or indirectly employed by any of them, or anyone for whose acts any of them may be liable, this indemnification obligation shall not be limited in any way by any limitation on the amount or type of damages, compensation or benefits payable by or for the Contractor or any Subcontractor under workers' compensation acts, disability benefit acts or other employee benefits acts.

(c) *Sole Negligence Exception.* —The Contractor shall not be liable or responsible for loss or damage, and the indemnity obligation set forth above will not apply if the incident from which the loss or damage arose was the result of the sole negligence or sole cause of the Owner, the Engineer, or their agents, servants and employees.

Article 6. - Notice to Proceed. The Notice to Proceed will be issued, following the pre-construction conference, within thirty (30) days of the execution of the Contract Agreement by the Owner. The time may be extended by mutual agreement between the Owner and the Contractor. If the Notice to Proceed has not been issued within the thirty (30) day period or within the period mutually agreed upon, the Contractor may terminate the Contract Agreement without further liability on the part of either party.

Within ten (10) days of receiving the Notice to Proceed, the Contractor must initiate on-site construction activity. If on-site construction activity is not initiated within this time period, the Owner may begin proceedings for Termination of Work for Default.

Article 7. - Termination of Work for Default. —(a) *Definition.*—The Work may be terminated for default if any one of the following events or circumstances occurs:

- (1) The Contractor is adjudged bankrupt or becomes insolvent;
- (2) The Contractor makes a general assignment for the benefit of creditors;
- (3) A trustee or receiver is appointed for the Contractor or for any of Contractor's property;
- (4) The Contractor files a petition to take advantage of any debtor's act, or to reorganize under the bankruptcy or applicable laws;
- (5) The Contractor fails to supply sufficient skilled workmen, materials or equipment;
- (6) The Contractor fails to make satisfactory progress toward timely completion of the Work;
- (7) The Contractor fails to make prompt payments to Subcontractors or material suppliers for labor, materials or equipment;
- (8) The Contractor disregards laws, ordinances, rules, regulations, or orders of any

public body having jurisdiction of the Work;

- (9) The Contractor fails to comply with directives of the Engineer; or,
- (10) The Contractor otherwise violates any provision of the Contract Documents.

(b) *Grounds for Issuance of Notice of Declaration of Default.* —It shall be a sufficient ground for the issuance of a notice of declaration of default that the Contractor has been unfaithful or delinquent in the performance of the Contract or any part of it in any respect. The Engineer does not have authority to declare the Contractor in default.

(c) *Termination of Services and Possession of the Project.* —The Owner may, without prejudice to any other right or remedy and after giving the Contractor and surety written notice ten (10) days in advance, terminate the services of the Contractor and take possession of the Project, the Work and of all products thereon owned by the Contractor, and finish the Work by whatever method the Owner may deem expedient. In such case the Contractor shall not be entitled to receive any further payment until the Work is finished. If the unpaid balance of the Contract Price exceeds the direct and indirect costs of completing the Project and all Work, including compensation for additional professional services, such excess shall be paid to the Contractor. If such costs exceed such unpaid balance, the Contractor or surety shall pay the difference to the Owner. Such costs incurred by the Owner will be determined by the Engineer and incorporated in a Change Order.

(d) *Effect of Termination.* —Where the Contractor's services have been so terminated by the Owner, said termination will not affect any right of the Owner against the Contractor then existing or which may thereafter accrue. Any retention or payment of monies by the Owner due the Contractor will not release the Contractor from compliance with the Contract Documents.

Article 8. - Termination for Convenience of Owner. (a) *General.* —If, for any reason other than those provided for under Article 7, the Owner elects to discontinue, in whole or in part, the Work under this Contract, the Owner may, ten (10) days after delivery of a written notice to the Contractor and the Engineer, terminate, in whole or in part, the Contractor's performance of the Work under this Contract. The notice of termination shall specify the extent to which performance of the Work under the Contract is terminated.

(b) *Entitlement to Payment.* —In the event of such termination by the Owner, the Contractor shall be entitled to payment for the Work properly performed up to the time of the termination and reimbursement for such actual costs as are reasonably incurred by the Contractor due to the termination and not otherwise compensated. The Contractor shall also be entitled to profit on the amounts payable to the Contractor, but such profit shall be limited to six (6%) percent of such amounts. The Contractor shall not be entitled to any payment, including any anticipated profit, on Work not performed, and the Contractor shall not be entitled to any compensation or recovery of damages for any other costs, losses, or damages of any nature.

Article 9. - Assignments. The Contractor shall not assign the whole or any part of this Contract or any monies due or to become due hereunder without prior written consent of the Owner.

Should the Owner consent, in writing, to Contractor's assigning of all or any part of any monies due, or to become due, under this Contract, the instrument of assignment shall contain a clause substantially to the effect that it is agreed that the right of any assignee in and to any monies due or to become due to the Contractor shall be subject to any set-offs then due to the Owner and to prior liens of all persons, firms, and corporations for services rendered or materials supplied for the performance of the Work called for under this Contract.

Article 10. - Subcontractors, Materialmen, Suppliers and Employees. —(a) *Submission of List.* -As soon as possible after notice of award of the Contract and in any event not later than the time fixed in the Contract for delivery of the executed Contract Documents to the Owner, the Contractor shall submit in writing to the Engineer a list of the names of Subcontractors that the Contractor will engage for the Work. The list of Subcontractors is not submitted for approval, but is for the purpose of establishing:

- (1) What trades and portions of the Work are to be performed under subcontract; and,
- (2) The names of the entities selected by the Contractor to perform work by subcontract, the aforesaid selection being a matter lying solely within the discretion of the Contractor.

The Contractor shall utilize the services of specialty Subcontractors on those parts of the Work which, under normal construction practices, are best performed by specialty Subcontractors and as may be required by the Engineer in the Engineer's sole discretion, at no additional cost to the Owner. If the Contractor desires to self-perform specialty Work, the Contractor shall submit a notice to the Owner accompanied by evidence that the Contractor's own organization has successfully performed the type of work, and the performance of the Work by specialty Subcontractors will result in materially increased costs or inordinate delays.

(b) *No Approval of Subcontractors.*—Neither the Owner nor the Engineer undertakes to pass upon or approve any Subcontractor.

(c) *Warranty of Contractor.*—The Contractor warrants that the Subcontractors selected by the Contractor are reputable, skilled, reliable, competent, qualified in the trade or field in which such Subcontractors are to perform Work on the Project, and that all Subcontractors are thoroughly familiar with applicable codes.

(d) *Certification on account of.*—The Engineer shall, upon written request, furnish to any Subcontractor, wherever practicable, evidence of the amounts certified as payable or paid on the Subcontractor's account. Furnishing any such evidence shall not establish any relationship between the Engineer and any Subcontractor.

(e) *Contractor Responsible for Acts and Omissions of Subcontractors, Materialmen, Suppliers and Employees.*—The Contractor agrees that it is as fully responsible for the acts and omissions of its Subcontractors, materialmen, suppliers, and employees (and of entities either

directly or indirectly employed by any of them) as the Contractor is for the acts and omissions of entities directly employed or engaged by the Contractor. The failure of a Subcontractor, materialman, supplier, or employee to timely and properly perform any Work shall not be asserted by the Contractor as an excuse for any omission from, or noncompliance with, the requirements of the Contract Documents; nor shall the Contractor be entitled to an extension of the Contract Time because of any failure of a Subcontractor, materialman, supplier, or employee to timely perform the Work unless such failure was a direct result of some critical delay to the Subcontractor, materialman, supplier or employee of the kind and character described under Article 28 of the General Conditions for which the Contractor shall have requested and received an extension of time under the terms of Article 28 of the General Conditions. The subcontracting of work does not relieve the Contractor of the full responsibility for the execution of the Work and for compliance with all requirements of the Contract Documents. The Contractor may not assert negligence, inefficiency, insolvency, bankruptcy, or incompetence of any Subcontractor, materialman, supplier, or employee as excuse for any noncompliance with methods and material designated in the Contract Documents. As to Subcontractors, materialmen, suppliers and employees of the Contractor, the doctrine that a principal is liable for acts and omissions of his agent shall be binding on the Contractor, and the Contractor may not reverse the aforesaid doctrine by serving as a conduit or agent for its Subcontractors, materialmen, suppliers and employees. Any provision in any Contract between the Contractor and any Subcontractor pursuant to which the Contractor is obliged to present to the Owner any claim of any Subcontractor shall be invalid, null and void.

(f) *No Contract Between Owner and Any Subcontractor, Materialman, Supplier, or Employee.*—Nothing contained in the Contract Documents shall create any contractual relationship between the Owner and any Subcontractor or between the Owner and any materialman, supplier or employee of the Contractor or its Subcontractors.

(g) *Relationship of Contractor and Subcontractors.*—The Contractor agrees to bind every Subcontractor to, and every Subcontractor agrees to be bound by, the terms of the Contract Documents, including the following provisions of this Article:

The Subcontractor agrees

- (1) To be bound to the Contractor by the terms of the Contract Documents and to assume toward the Contractor all the obligations and responsibilities that the Contractor by the Contract Documents assumes toward the Owner.
- (2) To submit to the Contractor applications for payment in such reasonable time as to enable the Contractor to apply for payment under Article 30 of the General Conditions.
- (3) To make claims for extras, for extensions of time or for damages to the Contractor in the manner provided in the General Conditions for like claims by the Contractor upon the Owner.

The Contractor agrees

- (1) To be bound to the Subcontractor by all the obligations that the Owner assumes to the Contractor under the Contract Documents.
- (2) To pay the Subcontractor upon the payment of certificates issued under the schedule of values described in Article 24 of the General Conditions the amount allowed to the Contractor on account of the Subcontractor's work to the extent of the Subcontractor's interest therein; amounts retained by the Contractor from payments due to Subcontractors (expressed as a percentage) shall not exceed that being retained by the Owner.
- (3) To pay the Subcontractor as required by the Contract Documents.
- (4) To pay the Subcontractor on demand for its work or materials as far as executed and fixed in place, less the retained percentage, even though the Engineer fails to approve payment to the Contractor for any cause not the fault of the Subcontractor.
- (5) To pay the Subcontractor a just share of any fire insurance money received by the Contractor.
- (6) To make no demand for delay damages or penalty for delay in any sum in excess of such amount as may be specifically identified in the subcontract.
- (7) That no claim for services rendered or materials furnished by the Contractor to the Subcontractor shall be valid unless written notice thereof is given by the Contractor to the Subcontractor during the first ten days of the calendar month following that in which the claim originated.
- (8) To give the Subcontractor an opportunity to be present and to submit evidence in any dispute involving rights of the Subcontractor.

(b) *Owner Not Obligated to any Subcontractor.*—There is no obligation on the part of the Owner to pay, or to see to the payment of, any sums to any (1) Subcontractor, (2) materialman, (3) supplier, (4) laborer, (5) employee, or (6) claimant as defined in the Payment Bond.

(c) *Incorporation of Terms in Subcontracts.*—The Contractor agrees that failure on its part to incorporate in all subcontracts an express provision in accordance with this Article shall be deemed to be and is a breach of an essential covenant, and that, in the event of such breach, that Contractor shall, within five (5) days after demand of the Owner, furnish proof in writing that the deficiency has been remedied and that (1) the Contractor may not maintain that it is beyond the Contractor's right or ability to require performance of terms of the Contract Documents by a Subcontractor and (2) no Subcontractor may maintain that it has not assumed toward the Contractor all the obligations and responsibilities that the Contractor has assumed toward the Owner.

Article 11 - Engineer.—(a) *Supervision.*—The Engineer shall have general supervision and direction of the Work except in respect to safety and except as qualified by Articles 27 and 36 of the

General Conditions. He/she shall make visits to the Project site and make determination as to whether the Work is proceeding in accordance with the Contract Documents. Except for projects on which **the Macon Water Authority itself serves in the capacity of engineer by use of its employees**, which shall be indicated in the Contract Documents, the Engineer is an independent contractor and acts as the agent of the Owner only when in special instances he/she is authorized in writing by the Owner so to act, and in such instances he/she shall, upon request, show the Contractor written authority. The Engineer has authority to stop the Work whenever such stoppage may be necessary to ensure the proper execution of the Contract.

(b) *Interpreter and Impartial Judge.*—As the Engineer is the interpreter of the conditions of the Contract and the judge of its performance, the Engineer shall side neither with the Owner nor with the Contractor but shall use the Engineer’s powers to enforce the faithful performance of the Contract by both the Owner and the Contractor.

(c) *Succession.*—In case of the termination of the employment of the Engineer, the Owner shall appoint a capable and reputable Engineer against whom the Contractor shall make no objection and whose status under the Contract shall be that of the former Engineer.

(d) *Promptness.*—The Engineer shall make decisions with reasonable promptness after presentation of evidence on (i) any claim of the Owner or Contractor, (ii) a demand of the Owner or Contractor for a decision on any matter relating to the execution, or progress, of the Work, or (iii) a demand of the Contractor or Owner for interpretation of or additional instructions (“Request for Information” or “RFI”) with respect to the Contract Documents.

(e) *Engineer’s Authority.*—The Engineer shall be vested with the authority to judge, determine and direct the following:

- (1) Whether products furnished are of the quality, type and kind called for by the Contract Documents and are otherwise acceptable for the Work as provided in the Contract Documents, and if not, to reject those not so qualifying or otherwise unacceptable;
- (2) Whether products incorporated in the Work comply with the standards and requirements of the Contract Documents as to installation and operation and, if not, to require their removal and replacement, at the expense of the Contractor, with products which do meet the qualifications and operating ability, requirements, performance and standards as provided in said Contract Documents;
- (3) The accuracy of quantities, amount of Work performed and all other submittals by the Contractor submitted in partial or periodic payment estimates, and whether all or any part of such quantities and other submittals are acceptable and comply with the Contract Documents, and to disallow any submittals not approved by the Engineer until the deficiencies causing such disallowance have been eliminated and rectified;
- (4) The validity and merit of any and all claims for additional compensation or

extension of the Contract Time;

- (5) All matters relating to artistic effect;
- (6) The validity and reasonableness of any notice of facility interruption given under Article 20 of the General Conditions; and,
- (7) All other matters relating to the proper execution of the Work in conformity with the Contract Documents, including workmanship.

The determination and decision, and any resulting approval, non-approval, condemnation, rejection, requirements of removal or replacement in all the foregoing matters of or by the Engineer shall be final and conclusive and binding upon the Contractor, all Subcontractors and all suppliers of products materials and equipment.

(f) *Claims for alleged procrastination.*—No claim for delay to the Contractor or for additional expense to the Contractor shall commence to accrue on account of failure of the Engineer to render decisions, make interpretations, or furnish additional instructions until ten (10) days after receipt of written claim for additional compensation, damages, or extension of time served upon the Engineer and the Owner and not then unless such claim be reasonable and otherwise permitted under the Contract Documents.

Article 12. - Separate Contracts.—(a) *Cooperation of Contractor.*—The Owner reserves the right to let other contracts in connection with, or related to, this Project. The Contractor shall afford other contractors reasonable opportunity for the introduction and storage of their products and the execution of their work, and the Contractor and other contractors shall properly connect and coordinate their respective work with each other. If the proper execution or results of any part of the Contractor's Work depends upon the work of any other contractor, the Contractor shall inspect and promptly report to the Engineer any defects in such other contractor's work that render it unsuitable for such proper execution and results.

(b) *Performance of Work by Owner.*—The Owner may perform additional work related to the Project with Owner's own forces. The Contractor shall afford the Owner reasonable opportunity for the introduction and storage of products and the execution of such work and shall properly connect and coordinate Contractor's work with work performed by Owner's own forces.

(c) *Claims for Extra Expense.*—If the performance of additional work by other contractors or the Owner is not noted in the Contract Documents prior to the execution of the Contract, written notice thereof will be given to the Contractor prior to starting any such additional work. If the Contractor believes that the performance of such additional work by the Owner or others causes the Contractor any additional expense or entitles the Contractor to an extension of the Contract Time, the Contractor may make a claim therefor as provided in Article 29 of the General Conditions.

Article 13. - Laws and Regulations. (a) *General.*—The Contractor acknowledges and agrees that all applicable federal, state, county and city laws, municipal ordinances, and the codes, rules, and

regulations of all authorities having jurisdiction over construction of the Project shall apply to the Contract as though written out in full herein. The Contractor shall keep fully informed of all laws, ordinances and regulations of the federal, state, county, city and municipal governments or authorities in any manner affecting those engaged or employed in the Work or the material used in the Work or in any way affecting the conduct of the Work and of all orders and decrees of bodies or tribunals having any jurisdiction or authority over same. If any discrepancy or inconsistency should be discovered in these Contract Documents herein referred to, in relation to any such law, ordinance, regulation, order or decree, the Contractor shall herewith report the same, in writing, to the Owner and the Engineer.

(b) *Expense for Violation of Laws, Ordinances, etc.*—If the Contractor performs any work knowing or reasonably knowing it to be contrary to such laws, ordinances, rules or regulations without such notice to the Owner, the Contractor shall bear all costs arising therefrom.

(c) *Indemnification.*—The Contractor shall at all times observe and comply with all such existing and future laws, ordinances, and regulations, and shall protect and indemnify the Owner, the Engineer and their agents against the violation of any such law, ordinance regulation, order or decree, whether by the Contractor or by the Contractor’s employees or Subcontractors.

(d) *Drug Free Workplace Act.*—The Contractor certifies that the provisions of O.C.G.A. §§ 50-24-1 through 50-24-6 (as may be amended or re-numbered) relating to the “Drug Free Workplace Act” will be complied with in full. The Contractor further certifies that: (i) A Drug Free Workplace will be provided for employees during the performance of the Contract, and (ii) that if a Subcontractor is engaged by the Contractor to work in a Drug Free Workplace, the Contractor shall secure from the Subcontractor the following written certification:

“As part of the subcontracting agreement with _____
(Contractor’s name) _____, _____ (Subcontractor’s name)
certifies to the Contractor that a drug-free workplace will be provided for the Subcontractor’s employees during the performance of this Contract pursuant to the ‘Drug Free Workplace Act’”. Contractor also certifies to the Owner and the Engineer that the Contractor and its employees will not engage in the unlawful manufacture, sale, distribution, dispensation, possession, or use of any controlled substance or marijuana during the performance of the Contract.

(e) *Alcoholic Beverages on the Jobsite.*—The Contractor will strictly enforce a policy prohibiting the possession and consumption of alcoholic beverages on the jobsite before, during or after working hours for duration of the Work.

Article 14. - Taxes. (a) *General.*—The Contractor shall pay all sales, consumer, use and other similar taxes required by the law of the place where the Work is performed. The Owner will be responsible for any sales or use tax due on products furnished by the Owner to the Contractor to be incorporated into the Work.

(b) *Tabulation.*—The Contractor shall provide a written tabulation, plus other documentation as may be required, of all taxes, including sales tax, paid by the Contractor to assist the Owner in

obtaining sales or use tax refunds for eligible machinery and equipment used for the primary purpose of reducing or eliminating air or water pollution as provided for in Chapter 48-8-3 (36) and (37) of the Official Code of Georgia (as may be amended). Such written tabulation shall be included with each partial payment request. Additionally, the tabulation shall be documented with copies of invoices indicating the amount of tax paid, with all blanks completed on the invoice, and with a description of the function of the item included in the tabulation. All taxes will be paid by the Contractor. All refunds will accrue to the Owner.

(c) *Tariffs* – “Tariffs” includes applicable tariffs, duties, customs fees, import taxes, or similar charges imposed by a governmental authority. “Tariffs” does not include sales, consumer, use, and similar taxes that are legally enacted by a governmental entity as outlined in subsection (a) above. If the cost of materials and/or equipment increases by more than 10% over the amount estimated in calculating the Contract Price, which increase is directly attributable to Tariffs, Contractor shall promptly provide to Owner or Owner’s representative with a written request for an equitable adjustment for an amount above the 10% increase. Prior to Contractor making such a request, Contractor shall determine whether substantially similar materials and/or equipment may be utilized that is not subject to Tariffs. If no substantially similar materials are available, Contractor may request a Change Order to increase the Contract Price by the difference between the original cost plus the 10% increase due to Tariffs and the actual costs to be paid by the Contractor, without markup or overhead. In no event shall the Contract Price be adjusted by more than 10% over the original Contract Price for the aggregate of all such increases due to Tariffs. Any adjustment of the Contract Price under this provision shall not be duplicated in any contingency amounts established under the terms of the Contract, or by any allowance.

Article 15. - Notice and Service Thereof. (a) *General.*—All notices, demands, requests, instructions, approvals, and claims shall be in writing.

(b) *Notice to Contractor.*—Any notice to or demand upon the Contractor will be sufficiently given if delivered at the office of the Contractor specified in the Bid (or at such other office as the Contractor may from time to time designate to the Owner in writing), or if delivered by the United States Mail in a sealed, postage-prepaid envelope, or delivered by facsimile transmission, followed by written confirmation, in each case addressed to such office.

(c) *Notice to Owner.*—All papers required to be delivered to the Owner shall, unless otherwise specified in writing to the Contractor, be delivered to:

Macon Water Authority
790 Second Street
Macon, GA 31201
FAX (478) 750-2007

Any notice to or demand upon the Owner shall be sufficiently given if delivered to the Office of the Executive Director or if delivered by the United States Mail in a sealed, postage-prepaid envelope,

or delivered by facsimile addressed to said Executive Director or to such other representative of the Owner or to such other address as the Owner may subsequently specify in writing to the Contractor for such purposes. Any such notice or demand shall be deemed to have been given to the Owner or made only as of the time of actual delivery to Owner.

(d) *Delivery to Engineer or Resident Inspector.*—Notice in writing or orally to the Engineer or to the resident inspector is not notice to the Owner unless a copy of the aforesaid notice in writing shall have been properly served upon the Owner as provided in this Article.

Article 16. - Patents and Royalties. (a) *General.*—If the Contractor uses any patented, trademarked or copyrighted design, process, device, material or other item, the Contractor shall provide for such use by suitable agreement between the Owner and the holder of such patented, trademarked or copyrighted design, device or material. The Contract Prices shall include royalties or costs arising from the use of such design, device, or materials, in any way involved in the Work.

(b) *Indemnification.*—The Contractor and the Contractor's surety shall indemnify and save harmless the Owner, the Engineer and their agents from claims for infringement by reason of the use of such patented, trademarked or copyrighted design, process, device or materials in connection with Work agreed to be performed under this Contract, and shall indemnify the Owner, the Engineer and their agents for any cost, expense, damage and reasonable attorneys' fees which the Owner, the Engineer or their agents may be obliged to pay by reason of such infringement, at any time during the prosecution of the Work or after completion of the Work.

Article 17. - Land and Rights-of-Way. (a) *Project Site.*—The Owner will provide, as indicated in the Contract Documents and prior to the Notice to Proceed, the lands upon which the Work is to be performed, rights-of-way for access thereto, and such other lands which are designated for the use of the Contractor. The Contractor shall confine all Work and all associated activities to the easements and other areas designated for the Contractor's use. The Contractor shall comply with any limits on construction methods and practices which may be required by easement agreements.

(b) *Delays in Providing Access.*—If, due to some unforeseen reason, the necessary easements are not obtained, the Contractor shall receive an equitable extension of Contract Time or an equitable increase in the Contract Price, or both, to cover the Contractor's additional costs as a result thereof, provided the Owner is notified in writing of the claim. The Contractor's claim therefor shall be made as provided for in Article 29 of the General Conditions.

(c) *Additional Easements.*—Should additional temporary easements for ingress or egress be required by the Contractor for access to the Work, these easements shall be obtained by the Contractor, at no additional cost to the Owner.

Article 18. - Products. (a) *Storage.*—Products shall be stored in accordance with the manufacturer's recommendations to insure the preservation of their quality and fitness for the Work. Stored products to be incorporated in the Work shall be located so as to facilitate prompt inspection by the Owner or the Engineer.

(b) *Installation.*—Manufactured products shall be applied, installed, connected, erected, used, cleaned, and conditioned as directed by the manufacturer.

(c) *Conformance with Shop Drawings.*—Products shall be furnished in accordance with shop drawings or samples submitted by the Contractor and approved by the Engineer.

(d) *Quality and Ownership.*—Unless otherwise specified, all products incorporated into the Work shall be new, and both workmanship and materials shall be of good quality. The Contractor shall, if required, furnish satisfactory evidence as to the kind and quality of products. The burden of proof is on the Contractor. Products to be incorporated into the Work shall not be purchased by the Contractor or Subcontractor subject to a chattel mortgage or under a conditional sale contract or other agreement by which an interest is retained by the seller.

Article 19. - Supervision of Work. (a) *Supervision by Contractor.*—The Contractor shall give efficient supervision to the Work, using its best skill and attention. The Contractor shall be solely responsible for the means, methods, techniques, sequences, and procedures of construction.

(b) *Superintendent of Contractor.*—The Contractor shall employ and maintain on the Work a qualified superintendent and any necessary assistants, all satisfactory to the Owner and Engineer, who shall have been designated in writing by the Contractor as the Contractor’s representative at the site. The superintendent shall not be changed except with the consent of the Owner and Engineer unless the superintendent proves to be unsatisfactory to the Contractor and ceases to be in the Contractor’s employ. The superintendent shall represent the Contractor and shall be present on the site at all times as required to perform adequate supervision and coordination of the Work. The superintendent’s sole responsibility shall be to superintend the construction of the Project; he shall not be a “working foreman.” The superintendent shall have full authority to act on behalf of the Contractor and to execute orders or directions of the Engineer without delay. The superintendent shall have full authority to promptly supply products, tools, plant equipment and labor as may be required. The superintendent’s authority shall be such that all communication given to the supervisor shall be as binding as if given to the Contractor.

(c) *Contractor’s Personnel.*—The Contractor shall employ only competent and skilled personnel. The Contractor shall at all times enforce strict discipline and good order among its employees and shall not employ on the Work any unfit person or anyone not skilled in the work assigned to him. The Contractor shall, upon demand from the Engineer, immediately remove any superintendent, foreman, or worker whom the Engineer or Owner may consider incompetent or undesirable.

Article 20. - Interruption of Facility Operations. (a) *General.*—The Contractor shall provide the Owner with written notice at least five (5) days prior to any interruption in facility operations required by any construction activity. The notice shall include the date and time of the scheduled interruption; the length of time the interruption will be in effect; the procedures to be followed in effecting the interruption; a complete identification of all those processes, equipment and operations to be affected; and all other information the Owner may require. The Contractor shall provide any and all equipment, piping, auxiliary power or other means necessary to sustain facility operations or

function for interruptions which have not been identified by the Contract Documents, or when interruptions must exceed the time allowed by the Contract Documents.

(b) *Damages and Fines.*—Any damages resulting from surcharging, overflow or back-up caused by the Contractor’s operations shall be the Contractor’s responsibility. Any fines levied against the Owner resulting from a surcharge, overflow or backup caused by the Contractor shall be paid by the Contractor.

Article 21. - Protection of Work, Property and Persons. (a) *Duty to Protect Persons and Property.*—The Contractor shall be responsible for initiating, maintaining and supervising all safety precautions and programs in connection with the Work. The Contractor shall take all necessary precautions for the safety of, and shall provide necessary protection to prevent damage, injury or loss to all employees on the Work and other persons who may be affected thereby, all the Work and all products to be incorporated therein, whether in storage on or off the site, and other property at the site and adjacent thereto, including trees, shrubs, lawns, walks, pavements, roadways, structures and utilities not designated for removal, relocation or replacement in the course of construction. The Contractor shall pay for any such damage, injury, or loss except such as may be directly the result of errors in the Contract Documents or such as shall be caused directly by agents or employees of the Owner.

(b) *Safety Precautions.*—The Contractor shall comply with the Occupational Safety and Health Act, the Contract Work Hours and Safety Standards Act, and all rules and regulations relating thereto. Contractor warrants and represents that it is thoroughly familiar with the safety requirements with regard to scaffolding set forth in O.C.G.A. § 25-15-110, the requirements concerning blasting or excavating near underground gas pipes and utility facilities contained in O.C.G.A. § 25-9-1, *et seq.*, and the High Voltage Safety Act, O.C.G.A. § 46-3-30, *et seq.*, and that the Work shall be prosecuted in complete accord with all limitations and requirements set forth in these, and other applicable, laws. The contractor’s operation of the jobsite shall be consistent with the provisions of the “Manual of Accident Prevention in Construction” issued by the Associated General Contractors of America, Inc., and shall maintain an accurate record of all cases of death, occupational disease, and injury requiring medical attention or causing loss of time from work arising out of and in the course of employment on the Work. The Contractor alone shall be responsible for the safety, efficiency, and adequacy of its plant, appliances, and methods and for any damage which may result from their improper construction, maintenance, or operation. The Contractor shall erect and properly maintain at all times as required by the conditions and progress of the work proper safeguards for the protection of workers and the public and shall post danger warnings against any hazards created by the construction operations. The Contractor shall designate a responsible member of its organization on the Work whose duty shall be the prevention of accidents. In the absence of notice to the contrary filed with the Engineer in writing with a copy to the Owner, this person shall be the superintendent of the Contractor.

(c) *Emergencies.*—In an emergency affecting the safety of life or the Work or adjoining property, the Contractor, without special instruction or authorization from the Engineer or Owner, is hereby permitted to act, at its discretion, to prevent such threatened loss or injury. Any remuneration claimed by the Contractor on account of emergency work shall be determined in

accordance with allowances permitted on force account under section (c), Case(c) of Article 29 of the General Conditions.

(d) *Injury or Loss to Persons or Property.*—The Contractor shall remedy all damage, injury or loss to any property, improvements or facilities caused, directly or indirectly, in whole or in part, by the Contractor or any of the Contractor's Subcontractors or anyone directly or indirectly employed by and of them or anyone for whose acts any of them may be liable. The property, improvements or facilities shall be replaced or restored to a condition as good as when the Contractor entered upon the Work. In case of failure on the part of the Contractor to restore such property, or pay for such damages or injury, the Owner may, after 48 hours written notice, proceed to repair, rebuild, or otherwise restore such property, improvements or facilities as may be deemed necessary. The cost thereof will be deducted from any monies due or which may become due to the Contractor under this Contract.

(e) *Blasting.*—In the absence of an express provision in the Contract Documents permitting blasting, there shall be no blasting. If blasting is permitted under the Contract Documents and under the law which is applicable to the Project site, such blasting shall be done in such manner as to prevent all damage and injury.

(f) *Rain Water, Surface Water, and Backup.*—The Contractor shall protect all Work, including but not limited to excavations and trenches, from rain water, surface water, and back-up of drains and sewers. The Contractor shall furnish all labor, pumps, shoring, enclosures, and equipment necessary to protect and keep the Work free of water. Completed Work and stored products shall be suitably protected during inclement weather to allow Work to proceed in a timely fashion. Work planned, or in progress, should be performed to minimize impact of adverse weather conditions.

Article 22. - Protection of the Environment. (a) *General.*—The Contractor shall be responsible for taking all measures required to minimize all types of pollution associated with the undertaking of the proposed Work, and shall abide by the requirements of all governmental agencies having jurisdiction over the Work or Contractor's Project operations.

(b) *Restoration.*—Any area used or involved in the Project that is disturbed by the Contractor, shall be restored to original or better condition, even though such area is outside the limits of that specified for grading, grassing or landscaping.

Article 23. - Protection, Location and Relocation of Utilities. (a) *Notification and Protection.*—The Contractor shall notify owners of adjacent utilities when prosecution of the Work may affect them. The Contractor shall protect from damage all existing improvements or utilities at, or in proximity to, the site of the Work, and shall repair or restore any damage to such facilities resulting from the performance of the Work. If the Contractor fails or refuses to repair any such damage promptly, the Owner may have the Work performed and charge the cost thereof to the Contractor.

(b) *Relocation.*—Prior to the construction or installation of any proposed facility or pipeline, the Contractor shall expose all existing utilities true to their vertical and horizontal location, within

the vicinity of the Work. In order to avoid conflicts between existing and proposed facilities or utilities, the Contractor shall either relocate the existing or proposed utility on a temporary or permanent basis, or shall take whatever means necessary to protect the existing facilities or utilities during the installation of proposed utilities, as approved by the Engineer. No separate or additional payment will be made for the relocation of existing utilities or for any work associated with the protection of existing facilities or utilities.

Article 24. - Schedules, Reports and Records.—(a) *Progress Reports.*—Within such reasonable time as the Owner shall designate in writing, the Contractor shall submit to the Owner such schedule of quantities and costs, construction progress schedules, payrolls, bills, vouchers, correct copies of all subcontracts, statements, reports, correct copies of all agreements, correspondence, and written transactions with the surety that have any relevance to the Work, estimates, records, and other data as the Owner may request concerning Work performed or to be performed under this Contract. When requested by the Owner, the Contractor shall give the Owner access to accounts relating to the foregoing. The above reports shall include but are not limited to (i) written notice of dates by which specified Work will have been completed, (ii) written notice of dates by which condemned Work shall have been remedied, (iii) written notice that condemned Work has been remedied, (iv) written notice as to the date or dates by which Work that has not been performed with equal steps and at the same rate required by the construction progress schedule shall have been brought into conformity with the schedule, (v) written notice of the date by which any undisputed claim of a Subcontractor, materialman, or laborer shall have been paid, (vi) written advice regarding the nature and amount of any disputed claim of a Subcontractor, materialman, or laborer, and (vii) information regarding work performed under Sections (c), Case (b) and Case (c) of Article 29 of the General Conditions.

(b) *Construction Progress Schedule.*—Within ten (10) days of the Notice to Proceed, the Contractor shall submit to the Engineer a Preliminary Progress Schedule (“PPS”) and a Near Term Schedule (“NTS”) in the form and with the content required by the Specifications. Within forty-five (45) days of the Notice to Proceed, the Contractor shall submit to the Engineer the Overall Project Schedule (“OPS”) as required in the Specifications.

(c) *Schedule of Values.*—The Contractor shall, within ten (10) days of the Notice to Proceed, submit to the Engineer a Schedule of Values of the various parts of the Work, including quantities, aggregating the total Contract Price, divided in such manner as to facilitate payments to Subcontractors in accordance with Article 10, with a complete breakdown of the Contract Price so arranged and so itemized in accordance with the Specifications as to meet the approval of the Engineer, and, if requested, supported by such evidence as to its correctness as the Engineer may direct. This schedule, designated herein as the Schedule of Values, when approved by the Engineer shall be used as a basis for certificates of payment.

(d) *Shop Drawings.*—The Contractor shall prepare, execute, and submit shop drawings as required by the Specifications. No shop drawings shall be submitted which do not comply with the Contract Documents.

(e) *Schedule of Submittals.*—Within ten (10) days of the Notice to Proceed, the Contractor

shall prepare and submit for the approval of the Engineer a Schedule of Submittals showing the estimated date of submittal of all shop drawings and the desired approval date for each shop drawing anticipated. The Contractor shall submit in accordance with the schedule and the Engineer shall furnish approval in accordance with the schedule. The schedule must be consistent with the construction progress schedules.

(f) *Submitting Updated Schedules.*—An updated OPS and NTS together with an updated Schedule of Submittals shall be presented with each periodical payment request. Failure to timely submit such schedules will delay processing of the pay request until receipt of the updated schedules.

(g) *Float in the Schedule.*—If the OPS reflects a completion date prior to the completion date established in the Contract Agreement, or as extended by Change Order, this shall afford no basis for a claim of delay should the Contractor not complete the Work prior to the projected date set forth in the OPS. All “float” between the completion date in the OPS and the completion date established in the Contract Agreement shall belong to and be exclusively available to the Owner. Should a Change Order be executed with a revised completion date, the progress schedule shall be revised to reflect the new completion date.

(h) *Record Drawings.*—The Contractor shall maintain on the Project site throughout the Contract Time an up-to-date set of records and drawings as required by the Specifications.

(i) *Project Coordination Meetings.*—The Contractor shall participate in Project Coordination Meetings to be held on the site monthly, or more often if conditions warrant, to establish the current state of completion and revise the schedule as necessary. The Project Coordination Meeting will be conducted by the Owner and the Engineer.

(j) *Maintenance of Project Scheduling System.*—The Contractor shall take the following steps to ensure that the Project stays on schedule:

- (1) The Contractor shall implement the detailed NTS of activities to the fullest extent possible between Project Coordination Meetings.
- (2) The Contractor shall provide a copy of the Contractor’s Daily Report to the Resident Inspector by 10:00 a.m. of the day following the Report date. This Daily Report will contain, as a minimum, the weather conditions; number of workers by craft, including supervision and management personnel on site; active and inactive equipment on site; Work accomplished by Critical Path Method activity item; problems; and visitors to the jobsite.
- (3) If a current activity or series of activities on the OPS is behind schedule and if the late status is not due to an excusable delay for which an extension of the Contract Time would be forthcoming, the Contractor shall attempt to reschedule the activity to be consistent with the OPS so as not to delay completion of the Contract. The Contractor agrees that:

- a. The Contractor shall attempt to expedite the activity to completion so as to have it agree with the OPS. Such measures as the Contractor may choose shall be made explicit during the Project Coordination Meeting;
- b. If, within two weeks of identification of such behind-schedule activity, the Contractor is not successful in restoring the activity to an on-schedule status, the Contractor shall:
 1. Carry out the activity with the scheduled crew on an overtime basis until the activity is complete or back on schedule;
 2. Increase the crew size or add shifts so the activity can be completed as scheduled; or,
 3. Commit to overtime or increased crew sizes for subsequent activities, or some combination of the above as deemed suitable by the Engineer.

These actions shall be taken at no increase in the Contract Price.

- (4) Maintain a current copy of all construction schedules on prominent display in the Contractor's field office at the Project site; and,
- (5) Cooperate with the Owner or Owner's representative in all aspects of the Project Scheduling System. Failure to implement the Project Scheduling System or to provide specified schedules, diagrams, and reports, or to implement actions to re-establish progress consistent with the OPS may be causes for withholding of payment.

Article 25. - Drawings and Specifications.

(a) *Identification.*— The Contract Documents shall be as defined in Article 41(e) of the General Conditions. They are intended to define, describe, and provide for all Work necessary to complete the Project in an acceptable manner, ready for use, occupancy, or operation by the Owner. Insertion, addition, alteration, modification, revision, or deletion of any text, verbiage, provision, statement, term, condition, or other component of the Contract Documents, whether textual, numerical, or pictorial, is prohibited and no such unilateral change to the Contract Documents shall be binding.

(b) *Number of Copies.*—The Engineer will furnish the Contractor two copies of the Contract Documents, one copy of which the Contractor shall have available at all times on the Project site. Any additional copies will be furnished at additional cost.

(c) *Correlation and Intent.*—The Contract Documents are complementary, and what is called for by one shall be as binding as if called for by all. The intention of the documents is to include all labor and materials, equipment, and transportation necessary for the proper execution of the Work. It is not intended, however, that materials or work not covered by or properly inferable from any heading, branch, class, or trade of the Specifications shall be supplied unless distinctly noted on the drawings. Materials or Work described in words which so applied have a well-known technical or trade meaning shall be held to refer to such recognized standards. In the event the Engineer shall have used such phrases anywhere in the Specifications as: “work indicated on the drawings and

herein specified”, “work shown and specified”, “in accordance with the drawings and Specifications”, “indicated on the drawings and Specifications”, “in accordance with Specifications and applicable drawings”, “these Specifications and the accompanying drawings”, “as indicated on the drawings and as specified herein”, or similar expressions, they shall not be deemed to be and are not a defeasance of the provisions under this Article of the General Conditions, and they are not to be construed as requiring Work to be called for both in the Specifications and in the drawings in order to be a requirement under the Contract. Any of the aforesaid conjunctive expressions and phrases or any cross-references between drawings and Specifications, between Specifications and Specifications, or between drawings and drawings to the contrary notwithstanding, the Contract Documents are complementary, and what is called for by one shall be as binding as if called for by all.

(d) *Refinement of Documents.*—The Contractor shall do no Work without complete, definite, and clear Drawings and Specifications. In the event the Contract Documents are not complete, definite, and clear, the Contractor shall make demand upon the Engineer, in writing, for a Request for Instructions (RFI) in accordance with Section (d) (iii) of Article 11 of the General Conditions. A copy of such demand shall be served upon the Owner. With reasonable promptness the Engineer shall furnish complete, definite, and clear instructions in writing, or by means of drawings, or in writing and by means of drawings. Such additional instructions if given orally shall be confirmed in writing or by drawings or both within a reasonable time. All such additional instructions shall be consistent with the Contract Documents, true developments thereof, and reasonably inferable therefrom. The Work shall be executed in conformity with the aforesaid instructions. The Engineer shall furnish the Owner a copy of all additional instructions issued to the Contractor. No clarification of the Drawings and Specifications hereunder by the Engineer will entitle the Contractor to any additional monies unless a Change Order has been processed as provided by Article 29 of the General Conditions.

(e) *Conflicts.*—The following principles shall govern the settlement of disputes which may arise over conflicts in the Contract Documents:

- (i) as between figures given on drawings and the scaled measurements, the figures shall govern;
- (ii) as between large-scale drawings and small-scale drawings, the larger scale shall govern;
- (iii) As between Drawings and Specifications, the requirements of the Specifications shall govern;
- (iv) as between the form of the Contract Agreement, General Conditions or agency funding documents, the requirements of the agency funding documents shall govern; and,
- (v) in cases where products or quantities are omitted from the Specifications, the description and quantities on the Drawings shall govern.

Conflicts noted shall be reported to the Engineer. The principles set forth herein shall not alter the provisions of subsection (c) herein. Schedules, lists, indexes, tables, inventories, written

instructions, written descriptions, summaries, statements, classifications, specifications, written selections, or written designations although appearing on the drawings are deemed to be and are “Specifications” within the meaning of this Article.

(f) *Materially Differing Site Conditions.*—Any materially differing site condition as between what is shown on the Drawings and Specifications and actually found on site shall be immediately reported to the Engineer and Owner, in writing, prior to the continuance of Work at the site. Failure of the Contractor to notify the Engineer, in writing, of the differing site condition prior to performance of Work at the site shall constitute a waiver of any claim for additional monies. Any Change Order necessitated by the differing site condition shall be processed as provided under Article 29 of the General Conditions. Any Work done by the Contractor following a discovery of such differing site condition or ambiguity or need for clarification in the Contract Drawings and Specifications, prior to a written report to the Engineer, shall not entitle the Contractor to additional monies and shall be done at the Contractor's risk.

Article 26. - Surveys and Permits.—(a) *Surveys.*—The Owner will furnish a land survey to establish a base line for locating the principal component parts of the Work, as shown in the Contract Documents. A bench mark will be otherwise specified in the Contract Documents; the Contractor shall develop and make all detailed surveys needed for construction, such as alignment, slope stakes, batter boards, stakes for pile location and other working points, lines, elevations and cut sheets.

(b) *Permits.*—Permits and licenses of a temporary nature necessary for the prosecution of the Work shall be obtained and paid for by the Contractor. Permits, licenses and easements for permanent structures or permanent changes in existing facilities shall be obtained and paid for by the Owner unless otherwise specified.

Article 27. - Testing, Inspection and Rejection of Work.—(a) *Testing of Materials.*—Unless otherwise specifically provided for in the Specifications, the inspection and testing of materials and products to be incorporated in the Work at the site shall be made by bureaus, laboratories, or agencies approved by the Owner; the cost of such inspection and testing shall be paid by the Contractor. The Contractor shall furnish evidence, satisfactory to the Owner and Engineer, that the materials and products have passed the required tests prior to their incorporation into the Work. The Contractor shall promptly segregate and remove rejected materials and products from the site of the Work.

(b) *Access to Work.*—The Owner and Engineer and their representatives shall at all times have access to the Work wherever it is in preparation or progress, and the Contractor shall provide proper facilities for such access and for inspection.

(c) *Notice to Engineer from Contractor Prior to Covering Work.*—If the Specifications, the Engineer's instructions (either in the Specifications or issued later in writing), laws, ordinances or any public authority require any Work to be specially tested or approved, the Contractor shall give the Engineer timely notice in writing of its readiness for inspection, and if the inspection is by any authority other than the Engineer, of the date fixed for such inspection. Inspections by the Engineer

shall be made promptly and where practicable at the source of supply. If any Work should be covered without approval or consent of the Engineer, it must, if required by the Engineer, be uncovered for examination at the Contractor's expense.

(d) *Re-examination or Re-testing of Work Covered pursuant to Consent of Engineer.*—Re-examination or re-testing of questioned work covered pursuant to consent of the Engineer may be ordered by the Engineer, and if so ordered the Work must be uncovered by the Contractor. If such Work is found in accordance with the Contract Documents the Owner shall pay the cost of re-examination and replacement or of re-testing. If such Work is found not in accordance with the Contract Documents the Contractor shall pay such cost unless he shall show that the defect in the Work was caused by another contractor of the Owner, and in that event the Owner shall pay such cost. Re-examination or re-testing under the terms of this section applies only to Work which has been covered with consent of the Engineer. Work covered without consent of the Engineer must be uncovered for examination as provided under Article 27(c) of the General Conditions.

(e) *Inspection Does Not Relieve Contractor.*—Under the Contract Documents, the Contractor has assumed the responsibility of furnishing all services, labor, and materials for the entire Work in accordance with such documents. No provisions of this Article or any inspection of the Work by the Owner, representatives of the Owner, resident inspector, clerk-of-the-works, architects employed by the Engineer, representatives of the Engineer, or the Engineer shall in any way diminish, relieve, or alter said responsibility and undertaking of the Contractor; nor shall the omission of any of the foregoing to discover or to bring to the attention of the Contractor the existence of any Work or materials injured or done not in accordance with said Contract Documents in any way diminish, relieve, or alter such obligation of the Contractor nor shall the aforesaid omission diminish or alter the rights or remedies of the Owner as set forth in the Contract Documents. Subject to the provisions of Section (g) herein, the resident inspector has no power to make decisions, to accept or reject Work, or to consent to the covering of Work. The resident inspector owes no duty to the Contractor.

(f) *False Start.*—In the event notice of readiness pursuant to Article 30(g) of the General Conditions shall have been issued prematurely by the Contractor, the Contractor's action shall be deemed to be a "false start", and the Contractor shall be liable for the damage resulting from the aforesaid false start, including but not limited to the salary, professional fees, and travel and living expenses of the person or parties inconvenienced by the aforesaid false start.

(g) *Authority and Duties of the Resident Inspector.*—The Resident Inspector will be authorized to inspect all Work done and all products furnished, including preparation, fabrication and manufacture of the products to be used, but the Resident Inspector is not authorized to alter or waive any requirements of the Contract Documents. The Resident Inspector may temporarily reject products or suspend the Work until any question at issue can be referred to and decided by the Engineer. The responsibility of the Contractor is not lessened by the presence of the Resident Inspector.

(h) *Rejection of Work; Orders of Condemnation.*—The Contractor shall remove from the premises within the time designated in orders of condemnation all Work condemned by the

Engineer as failing to conform to the Contract Documents, whether incorporated in the Work or not, and the Contractor shall promptly replace and re-execute the Work in accordance with the Contract Documents and without expense to the Owner and shall bear the expense of making good all work of other contractors destroyed by such removal or replacement. The Contractor shall supply any omitted Work and perform all unexecuted Work within the time fixed by the Engineer in orders of condemnation.

(i) *Remedy of the Owner for Breach of Order of Condemnation.*—If the Contractor does not make good a deficiency within the time fixed in an Order of Condemnation, the Owner may:

- (1) Remove the condemned Work and store it at the expense of the Contractor. If the Contractor does not pay the expenses of such removal and storing within ten (10) days after receipt of written demand of the Owner, the Owner may upon three (3) days' notice in writing to the Contractor sell such materials at private sale or at auction and shall account for the net proceeds thereof after deducting all proper costs incurred by the Owner; or
- (2) Supply omitted Work, perform unexecuted Work, or replace and re-execute Work not done in accordance with the methods and materials designated in the Contract Documents and deduct the cost thereof from any payment then or thereafter due the Contractor; or,
- (3) Accept the condemned Work and deduct the reasonable value of such Work from the Contract Price.

The remedies stated in this Article are in addition to the remedies otherwise available to the Owner, do not exclude such other remedies, and are without prejudice to any other remedies. Time limits stated in orders of condemnation are of the essence of the Contract. Unless otherwise agreed to by the Owner in writing, the making good of condemned Work shall physically commence at the site in not more than seven (7) days after receipt of the Order of Condemnation except that in case of emergency correction shall physically commence immediately and except that the Contractor shall in any event physically commence the correction at the site early enough to complete within the time allowed in the Order of Condemnation. The Owner shall give prompt consideration to reasonable requests for delay in commencement of the making good of orders of condemnation. The making good of condemned Work shall be completed within the time allowed in the Order of Condemnation unless the Contractor shall have requested from the Engineer an increase in the amount of time allowed and the Engineer shall have given notice to the Contractor in writing, with copy to the Owner, stating the additional time, if any, allowed. An extension of the time allowed to correct condemned Work shall not extend the Contract Time.

(j) *Notice of Correction from Contractor.*—The Contractor shall give prompt notice in writing to the Engineer, with copy to the Owner, upon completion of the correction of any Work, the supplying of any omission of any Work or materials or the performance of any unexecuted Work condemned by the Engineer. In the absence of such notice, it shall be and is presumed under this Contract that there has been no correction, supplying remedy, or performance of unexecuted Work.

Article 28. - Contract Time and Damages. (a) *Rate of Progress.*—The Contractor shall proceed with the Work at a rate of progress which will insure substantial completion of the Project within the Contract Time. It is expressly understood and agreed by and between the Contractor and the Owner that the Contract Time for the Work is a reasonable time, taking into consideration the average climatic and economic conditions, and other factors prevailing in the locality of the Work. It is understood that the Contractor’s proposed construction schedule is based on a normal 40-hour work week, less recognized holidays. If the Contractor desires to work in excess of a normal 40-hour work week, the Contractor shall submit a written request to the Owner and Engineer a minimum of two (2) days prior to the desired work date. The Contractor shall be responsible for any additional expenses incurred by the Owner as a result of any extended work hours, including resident inspection overtime. The cost associated with resident inspector overtime will be deducted from the Contractor’s monthly progress payment request.

(b) *Grounds for Delays and Extensions of Time.*—If the Contractor be delayed at any time in the progress of the Work by any act or neglect of the Owner or the Engineer, or of any employee of either, or by any separate contractor of the Owner, or by changes ordered in the Work, or by strikes, lockouts, pickets, abnormal and unforeseeable weather, unforeseeable subsurface conditions, fire, unusual delay in transportation, unavoidable casualties, or any causes beyond the Contractor’s control, or by any cause which the Engineer shall decide to justify the delay, then the Contract Time may be extended for such reasonable time as the Engineer may decide.

(c) *Filing of Claims.*—No extension of the Contract Time shall be made for delay occurring more than ten (10) days before claim therefor is made in writing to the Engineer with a copy to the Owner. In the case of a continuing cause of delay, only one claim is necessary, but no claim for a continuing delay shall be valid unless the Contractor, within ten (10) days of the commencement of the delay, shall have given notice in writing to the Engineer, with copy to the Owner.

(d) *Weather Delays.*—The Contractor is held to be familiar with weather conditions in the Macon-Bibb County area. When a claim for extension of the Contract Time is based on abnormal and unforeseeable weather conditions the request must be accompanied by U.S. Weather Bureau data for the past ten (10) years for the Macon/Macon-Bibb County, Georgia area that substantiates the claim of abnormal and unforeseeable weather conditions. Each day of inclement weather is not, by itself, reason for an extension of the Contract Time. Extensions of the Contract Time will be based solely on the number of rain days in a monthly period that are in excess of the ten (10) year average as established for the Macon/Macon-Bibb County area. A rain day, for purposes of calculating the ten (10) year average, is defined as a day in which 0.10 inch of rain or more was measured by the Weather Bureau.

(e) *Delay in Furnishing Drawings.*—If no Schedule of Submittals or agreement stating the dates upon which drawings or approval of shop drawings shall be furnished is made, then no claim for delay shall be allowed on account of failure of the Engineer to furnish drawings or approval of shop drawings until fourteen (14) days after demand therefor and not then unless such claim be reasonable.

(f) *No Damages for Delay.*—In the event of any delay as set forth in Section (b) herein, the Contractor may be entitled to an extension of the Contract Time only, and shall not be entitled to any additional payment on account of such delay. Without limiting the foregoing, except as otherwise specifically provided under Article 29, the Contractor shall not be entitled to payment or compensation of any kind from the Owner for direct, indirect or impact damages, including but not limited to costs of acceleration or extended home office overhead arising because of hindrance or delay from any cause whatsoever, whether such hindrances or delays be reasonable or unreasonable, foreseeable or unforeseeable, or avoidable or unavoidable.

(g) *Damages from Contractor for Delay.*—If the Contractor shall fail to perform the Work required within the Contract Time, or extended Contract Time if authorized by Change Order, then the Contractor shall pay Owner the full amount of damages specified in the Contract Documents for each calendar day that the Contractor shall be in default after the time stipulated in the Contract Documents shall have expired, and the Owner shall deduct such damages from the Contractor's monthly progress payment request.

Article 29. - Changes in the Work.—(a) *Owner's Right to Make Changes.*—The Owner without invalidating the Contract may authorize or order extra work or may authorize or order changes by altering, adding to, or deducting from the Work, the Contract Price or the Contract Time, or both, being adjusted accordingly. The Contractor hereby expressly agrees that the Contractor shall have no right to a claim for damages or extended overhead of any nature because of changes made by the Owner. Such Work is hereinafter designated “change” or “changes”.

(b) *Field Orders.*—The Engineer may at any time, by issuing a field order, make changes in the details of the Work. These changes by field order will not affect Contract Time or Contract Price. The Contractor shall proceed with the performance of any such changes in the Work so ordered by the Engineer, unless the Contractor believes that such field order entitles Contractor to a change in Contract Price or Contract Time, or both, in which event Contractor shall give the Engineer immediate, written notice thereof and if required by the Owner, an immediate estimate of the direct cost of Work as outlined in Case (b) below, after the receipt of the ordered change, and the Contractor shall not execute such changes pending the receipt of an executed Change Order or further written instruction from the Owner.

(c) *Cost to Owner for Changes.*—The cost to the Owner of any change shall be determined in one or more of the following ways:

CASE (a) By estimate and acceptance in a lump sum.

CASE (b) By unit prices identified in the Contract or subsequently agreed upon. Unit prices are net including overhead and profit. Neither establishment of unit prices in the Contract or later agreement to unit prices shall entitle the Contractor to execute any change under Case (b) prior to issuance of an authorization or order of the Owner in writing.

CASE (c) By force account, which is defined as expenditures allowed under Article

29(i) plus a percentage or percentages as stated under Article 29(i).

(d) *Changes Forbidden without Consent of Owner.*—Neither the Engineer or the Contractor shall make any change whatsoever in the Work without authorization or order of the Owner in writing except in emergency as described hereinbelow. The making of any change without authorization or order of the Owner in writing is a breach of contract except in emergency as referred to under Article 21 of the General Conditions. In the absence of authorization or order of the Owner given in advance in writing (except in emergency as referred to under Article 21 of the General Conditions) the Contractor shall have no claim for payment, repayment, reimbursement, remittance, remuneration, compensation, profit, cost, overhead, expense, loss, expenditure, allowance, charge, demand, hire, wages, salary, tax, cash, assessment, price, money, bill, statement, dues, recovery, restitution, benefit, recoupment, exaction, injury, damages or time based upon or resulting from any change.

(e) *Notice of demand of Contractor for extraordinary remuneration or for damages.*—For a change in the Work, the Contractor shall be entitled to no claim other than or in excess of allowances permitted under Article 29(i) unless prior to commencement of execution of the change (a) the Contractor shall have notified the Owner in writing of the nature of the claim and (b) the Owner shall have agreed in writing to the claim. Commencement of execution of a change authorized by the Owner in the absence of the aforesaid written notice from the Contractor and written agreement to the claim by the Owner shall be deemed to be and is conclusive proof that the Contractor acknowledges that it makes no claim other than or in excess of allowances permitted under Article 29(i).

(f) *Subsurface Conditions.*—Material below the surface of the ground is assumed to be earth and other material that can be removed by a backhoe or similar equipment. Should conditions encountered below the surface of the ground be at variance to conditions indicated by Drawings, Specifications, or geotechnical reports, and subject to Article 23 of the General Conditions, the Contract Price may be adjusted as provided in this Article for changes in the Work upon claim by either party made in writing within a reasonable time after the first observance of the conditions; PROVIDED, however, that the Contractor shall in any event give written notice to the Owner before proceeding to execute any change resulting from subsurface conditions; and PROVIDED FURTHER; that the Owner shall not be liable to the Contractor for any claim occasioned by the aforesaid subsurface conditions except in accordance with and pursuant to authorization of the Owner issued in writing prior to commencement of execution of the aforesaid change to which authorization the Contractor shall have taken no exception. If exception to the authorization be taken by the Contractor, the Owner may issue an order pursuant to Article 29(i). Commencement of execution of work pursuant to Article 29(i) shall not exclude the recovery of damages by the Contractor under other Articles of the General Conditions, but the cost to the Owner for the changes executed pursuant to the aforesaid order shall not exceed the “net allowable expenditures” permitted to the Contractor under Article 29(i) plus the “allowance for overhead and profit” permitted under Article 29(i).

(g) *Rock.*—If rock, as hereinafter defined, is encountered, no claim for additional compensation for changes shall lie against the Owner in the absence of previous authorization by

the Owner in writing, and the cost to the Owner for any changes shall be determined as provided in this Article. **CAUTION: No rock for which extra compensation is expected to be received shall be removed except pursuant to and in conformity with a written authorization or order of the Owner.** Shale, rotten stone, or stratified rock that can be loosened with a pick or removed by a backhoe or similar equipment shall not be classified as rock. Rock is defined as follows: any material which cannot be excavated with conventional equipment, and must be removed by drilling, chemical cracking, or blasting, and occupies an original volume of at least one-half cubic yard.

(h) *Existing Conditions.*—The Contractor in undertaking the Work under this Contract is assumed to have visited the premises and to have taken into consideration all conditions which might affect the Work. No consideration will be given any claim based on lack of knowledge of existing conditions except where existing conditions are such as cannot be readily ascertained. Any claims relating to conditions which were not readily ascertainable shall be adjusted as provided in this Article for changes in the Work.

(i) *Cost to Owner, Allowances for Contractor, and Allowable Expenditures.*—In Cases (a) and (c), above, the “allowance for overhead and profit” combined, included in the total cost to the Owner, shall be based upon the following schedule:

- (1) For the Contractor an allowance for Work which it performs with its own forces, not to exceed 16% of its “net additional allowable expenditures”, if any, for changes.
- (2) For a Subcontractor an allowance for Work which it performs with its own forces, not to exceed 16% of its “net additional allowable expenditures”, if any, for changes. A Subcontractor shall receive no allowance for overhead and profit on Work not performed by its own forces. Under these Contract Documents, the forces of a Sub-subcontractor of a Subcontractor are deemed to be and are the forces of the Subcontractor.
- (3) For the Contractor an allowance for Work performed by its Subcontractor, not to exceed 10% of the amount, if any, due the Subcontractor for changes.

The above percentages shall be applied to the “net additional allowable expenditures”, if any, as limited and defined herein. If the net difference between “allowable expenditures” and savings results in a decrease in expenditures, the amount of credit allowed the Owner shall be the net decrease without any credit for profit and overhead. “Net additional allowable expenditures” as used herein shall mean the difference between all “allowable expenditures” and savings. The term “allowable expenditures” is limited to and defined as items of:

- (1) Labor which is defined as the specific labor wages including a thirty percent (30%) markup on the cost of direct payroll wages. The Contractor shall furnish, if required by the Owner, certified payrolls to verify wages.
- (2) Material delivered and used on the designated Work, including sales tax, if paid for by

the Contractor and as verified by original invoices or otherwise verifiable to the Engineer's acceptance.

- (3) Rental, or Ownership cost of equipment, including necessary transportation of equipment, having a purchase value in excess of \$300.00. Rental or Ownership cost will be allowed for only those hours during which the equipment is required on the Project site. Cost allowances will not exceed the rates defined as follows: the hourly rate, for equipment not used exclusively in the change to the scope of Work, will be the monthly rate, as printed in the current Rental Blue Book for Construction Equipment published by Dataquest, divided by 176; the rate, for equipment used exclusively for those tasks identified in the change to the scope of Work, will be the daily, weekly or monthly rate, used singularly or in combination, which will provide the lowest total cost. The rates will be modified by the Rate Adjustment Table factors to reflect a depreciation allowance indexed to the year a machine was originally manufactured and sold. The rates will be adjusted to account for regional differences in annual use hours, cost of labor, freight, taxes, etc. The amount by which basic rates will be increased or decreased is shown on the adjustment maps included in the "Blue Book". The equipment use period will begin only at the time equipment is unloaded at the site of the changed Work; will include each day that the equipment is required at the site of the changed Work; and will terminate at the end of the day on which the use of such equipment becomes unnecessary, plus reasonable transportation time. The maximum time to be paid per day will not exceed eight hours unless the equipment is in operation for a longer time. The time which will be paid for per day for equipment not used exclusively in the change to the scope of Work, will be the hours which the equipment was actually in operation on the changed Work.
- (4) In cases where there is an extension of the Contract Time, *pro rata* expenditures for time of foremen employed in the direct superintendence of productive labor in execution of changes.

All expenditures not included in the term "allowable expenditures" as limited and defined in this Article shall be considered as overhead, including, but not limited to, bond premiums, supervision, travel (meals, transportation, and lodging), superintendence [except *pro rata* time of foremen as referred to herein], timekeepers, clerks, watchmen, hand tools, small tools, incidental job burdens, engineering, drafting, and office expense. Any other provisions in the Contract Documents to the contrary notwithstanding, only demonstrable, direct, out-of-pocket expenditures for the changes plus percentages as set forth hereinabove shall be allowable for changes. No wages of a foreman shall be allowable for a change carried on concurrently with contract Work unless the claim includes a demand for extension of time caused by the authorizing or ordering of the change.

(j) *Execution of Changes Pursuant to Order.*—In the event neither Case (a) nor Case (b) can be mutually agreed upon as the method of determining the cost to the Owner for a change, the Contractor, provided it receives a written order from the Owner, shall proceed on force account under Case (c), and he shall keep and present in such form as the Engineer may direct a correct account of the expenditures together with vouchers. Allowable expenditures shall in no event

exceed current costs for like services and materials, the burden of proof being on the Contractor.

(k) *Stipulated Maximum Sum.*—Under Case (b) and Case (c), the Owner shall prescribe the limits of any authorization or order for a change by means of an authorization or order in writing stipulating the maximum sum of money committed toward execution of the said change, and the Contractor shall have no authority to perform any change which will cost the Owner in excess of the stipulated maximum sum. It shall be solely the Contractor’s responsibility **to apply in writing to the Owner, NOT [repeat NOT] to the Engineer,** for an enlargement of the scope of the authorization or order by an increase in the said stipulated maximum sum if during the course of the performance of a change on force account under Case (c) the additional cost of the change to the Owner as established in accordance with allowable expenditures and allowances for profit and overhead permitted under Article 29(i) is approaching, or may exceed, the said stipulated maximum sum. It shall likewise be the responsibility of the Contractor to apply for an enlargement of the scope of the authorization or order if the total value of units at any agreed unit price under Case (b) is approaching the said stipulated maximum sum. For changes in the Work no claim for payment, repayment, reimbursement, remittance, remuneration, compensation, profit, cost, overhead, expense, loss, expenditure, allowance, charge, demand, hire, wages, salary, tax, cash, assessment, price, money, bill, statement, dues, recovery, restitution, benefit, recoupment, exaction, injury or damages shall lie against the Owner for any amount in excess of such amount as shall have been mutually agreed to under Case (a) or in excess of such amount as shall have been established as the stipulated maximum sum under Case (b) or Case (c). The cost to the Owner for any change in the Work, except a change based upon agreed unit prices under Case (b), shall be established in accordance with the schedule of allowances and percentages stipulated under Article 29(i).

(l) *Breakdown of Expenditures.*-To accompany all Change Orders, the Contractor shall furnish a breakdown of expenditures for labor and materials by units and quantities in the form prescribed by the Owner, and the breakdown shall be accompanied by the following declaration: “I do solemnly swear, under criminal penalty, that the costs shown hereinabove do not exceed current costs for like services or materials and do not exceed the actual costs to the Contractor therefor, and that the quantities shown do not exceed actual requirements.” For all force account changes, the Contractor shall promptly, and in no event later than thirty (30) days after receipt of written demand therefor, pursuant to Article 29(i) submit to the Engineer a complete, accurate, and final breakdown and account together with vouchers, showing all expenditures and percentages allowable under Case (c). For all unit price changes, the Contractor shall promptly, and in no event later than thirty (30) days after receipt of written demand therefor, pursuant to Article 29(i) submit to the Engineer an accurate account of the quantity of Work performed under Case (b). In any case, the Engineer shall certify to the amount [including under Case (a) and Case (c) the allowance prescribed in the Contract for overhead and profit] due the Contractor. The Contractor shall obtain and furnish as back-up to the Contractor’s breakdown a separate breakdown for each Subcontractor’s charges prepared by each Subcontractor on the letterhead of the Subcontractor and properly signed by the Subcontractor.

(m) *Payment on Account.*—If the Contractor desires to obtain payment on account before any change in the Work has been completed, a Change Order certified by the Engineer and signed by

the Contractor and the Owner must have been executed for so much of the change as has been completed at the time of the filing of the request for payment on account.

(n) *Form and Execution of Change Orders.*—Change Orders shall be recommended by the Engineer and signed by the Contractor and the Owner in accordance with the form of change order prescribed by the Owner. No request for payment of the Contractor for account of a change shall be due, nor shall any such request appear on a progress payment request or demand for final payment until (1) the Change Order shall have been certified by the Engineer and (2) a Change Order shall have been executed by the Contractor and the Owner.

(o) *Claims Distinguished from Changes.*— Claims for damages arising out of alleged negligence of the Engineer or Owner as provided for under Article 37 of the General Conditions are distinguished from claims for allowances for changes as provided for under Article 29. Claims for damages must be filed entirely separately pursuant to Article 37 of the General Conditions and claims for allowances for changes must be filed entirely separately pursuant to Article 29 unless the Contractor and Owner agree in writing otherwise.

(p) *Conditions Different from Those Indicated in Contract Documents.*—The parties contemplate delays necessary to complete tests, to redesign, and to perform change order Work in the event conditions encountered at the site are different from those indicated in the Contract Documents, or to perform change order Work to correct errors and omissions in the Drawings and Specifications. Execution of any change must be authorized. In such event there shall be an adjustment in the Contract Price as provided in the Contract for changes in the Work, but no claim for damages shall lie against the Owner for the aforesaid delays. Such delays are not a breach of contract because the parties contemplate such delays as a natural and probable consequence of construction operations. The parties agree that such delays constitute no wrong or injury, create no right to a claim for damages, and are not a ground for claiming extraordinary remuneration.

(q) *Unit Prices.*— The term “net” as used in reference to “unit prices” means in respect to Change Orders performed in accordance with Case (b) of Article 29 of the General Conditions that the unit prices offered by the Contractor and accepted by the Owner shall be inclusive of all sums for payment, repayment, reimbursement, remittance, remuneration, compensation, profit, cost, overhead, expense, loss, expenditure, allowance, charge, demand, hire, wages, salary, tax, cash, assessment, price, money, bill, statement, dues, recovery, restitution, benefit, recoupment, exaction, or injury. Upon request of the Owner in writing and within such reasonable space of time as the Owner shall designate in writing, the Contractor shall submit for consideration of the Owner proposals in writing for unit prices to be applied in the event Work is authorized by the Owner to be performed under Case (b) of Article 29. Under penalty of false swearing, a principal of the contracting firm shall certify that the unit prices submitted do not exceed current costs for like services or materials.

(r) *Combining Small Change Orders.*—The Owner may, with the Contractor’s concurrence, elect to postpone the issuance of a Change Order until such time that a single Change Order of substantial importance can be issued incorporating several changes. In such cases, the Owner will indicate this intent for each change in the Contract in a written notice to the Contractor, following

agreement by the Owner and Contractor on the scope, price and time, if any, of the change.

(s) *Changes in the Contract Time.*—The Contract Time may be changed only by a Change Order. Changes in the Work described in section (a) of this Article and any other claim made by the Contractor for a change in the Contract Time will be evaluated by the Engineer and if the conditions warrant, an appropriate adjustment of the Contract Time will be made. The Engineer, when making these evaluations will take into consideration the amount and scope of Work which has been changed and will evaluate if the change in Work has affected the Critical Path as currently accepted on the Progress Schedule such that it would delay the completion of the Project. If after these evaluations have been made, and in the sole opinion of the Engineer the Contractor is due an extension of the Contract Time, then it will be granted by a Change Order. Extensions of the Contract Time granted as a result of weather will not result in a change in Contract Price.

(t) *Effect of Executed Change Order.*—The execution of a Change Order by the Contractor shall constitute conclusive evidence of the Contractor's agreement to the ordered changes in the Work, the Contract as thus amended, the Contract Price and the Contract Time. The Contractor, by executing the Change Order, waives and forever releases any claim against the Owner for additional time or compensation for matters relating to or arising out of or resulting from the Work included within or affected by the executed Change Order. The foregoing waiver and release expressly includes, without limitation, claims for additional compensation or time based on the theory that the Contractor has suffered so-called "impact" damage attributable to the effect of change order Work on other change orders Work or on unchanged Work.

Article 30. - Payments and Completion.—(a) *Contract Price.*— The Contract Price is either a lump sum or the sum of the unit prices stated in the Contract Agreement, for each item multiplied by the actual quantities installed of each item, and is the total amount payable by the Owner to the Contractor for the performance of the Work set forth in the Contract Documents. It is understood that the Contractor shall provide and pay for all products, labor, (including labor performed after regular working hours, on Sundays, or on legal holidays), equipment, tools, water, light, power, sewer, transportation, supervision, temporary construction of any nature, and all other services and facilities of any nature whatsoever necessary to execute, complete, place into operation, and deliver the Work.

(b) *Application for Payment and Receipts.*—The Contractor shall submit to the Engineer in accordance with a form to be supplied by the Owner an application for each monthly progress payment, and, if requested by the Owner or Engineer, receipts or other vouchers, showing his payments for materials and labor, including payments to Subcontractors as required by Article 10 of the General Conditions.

(c) *Progress Payments.*—If progress payments are made on valuation of Work done, such complete application shall be submitted to the Engineer at least twenty (20) days before payment falls due. In applying for payments, the Contractor shall submit a statement based upon the Schedule of Values on a progress payment form to be supplied by the Owner, and, if requested by the Engineer or Owner, itemized in such form and supported by such evidence as the Engineer or Owner may direct showing the Contractor's right to the payment claimed.

(d) *Materials stored.*—Application for payment may include, at the Contractor’s option, the cost of products not yet incorporated into the Work which have been delivered to the site or to other storage locations authorized and approved by the Engineer. The Owner reserves the right to accept or reject pay requests for stored materials, and to limit payments to those stored materials which, in the Engineer’s judgment, are necessary for continuing satisfactory Project progress.

Payment for stored products will be subject to the following conditions being met or satisfied:

- (1) The products shall be received in a condition satisfactory for incorporation in the Work, including manufacturer’s storage and installation instructions;
- (2) The products shall be stored in accordance with the manufacturer’s recommendations and in such manner that any and all manufacturer’s warranties will be maintained and that they will not be damaged due to weather, construction operation, or any other cause;
- (3) An invoice from the manufacturer shall be furnished for each item on which payment is requested. The request may include reimbursement for cost of delivery, limited to common carrier rates, to the site, but will not include the Contractor handling, on or off site, or for storage expense;
- (4) The Contractor shall, on request of the Engineer, furnish written proof from the supplier of payment (less retention equal in percentage to that being retained by the Owner) for the products no later than 30 days after receipt of payment for same from the Owner. The Owner will have the right to deduct from the next payment estimate an amount equal to the payment for products if reasonable and adequate proof is not submitted; and,
- (5) Shop drawings, product data and samples, showing “No Exceptions Taken”, have been received from the Contractor for that specific equipment or material.

(e) *Operating Test Period.*—Upon receipt of written notice from the Contractor that the Work is ready to be placed into service for the operating test period, the Engineer will, within a reasonable time, inspect the Work. Prior to initiating the operating test, Work required by the Contract Documents must be in place and operable as determined by the Engineer, which includes, but is not limited to the following:

- (1) Pressure testing all lines as required in the Specifications;
- (2) Making adjustments of manhole rims;
- (3) Performing functional tests and providing manufacturers’ required certification as specified;
- (4) Removing temporary plugs, bulkheads, bypasses, etc., and diverting flow into the

facility when directed by the Engineer; and,

- (5) All painting, grassing and restoration of the Work area, provided the Work area is not part of another segment not yet in the 30-day operating test period.

When the Engineer finds the Work of the Contractor ready for initiation of the operating test period, the Engineer will recommend to the Owner that the operating test period begin.

Certain segments of the Work, whether new or existing to be modified, may need to be placed in service prior to completion of the entire Project. Prior to placing these segments in operation, the requirements above, which pertain to the operating test period, must be complete for each segment.

The operating test period begins upon written notification from the Owner and runs for a period of 30 days. During this period, the Contractor shall complete all remaining items of Work, make adjustments found to be necessary, and ensure that all equipment and systems are functioning properly, and continue to function properly. The beginning of the operating test period initiates the Owner's responsibility for providing chemicals, power, and operating personnel. The Contractor retains responsibility for maintaining equipment until acceptance by the Owner. The segments to be placed into service prior to completion of the entire Project will be determined solely by the Engineer or the Owner.

(f) *Conditions Precedent to Application for Final Payment.*—ALL WORK REQUIRED BY THE CONTRACT DOCUMENTS MUST BE COMPLETED BEFORE THE FINAL INSPECTION IS PERFORMED. This includes, but is not limited to, the following:

- (1) Performing infiltration and pressure tests as described in the detailed Specifications;
- (2) Removing temporary plugs, bulkheads, bypasses, etc.;
- (3) Flushing all lines with potable water furnished by Contractor;
- (4) Pressure testing all lines as required in the Specifications;
- (5) Demonstrating the operation of all valves;
- (6) Providing specified instruction for the Owner's personnel;
- (7) Disinfecting all water mains as required in the Specifications; and,
- (8) Grassing and restoration of the Work area.

(g) *Notification of Readiness for Final Inspection.*—When all conditions precedent for the application have been completed, the Contractor shall submit completed Record Drawings to the Engineer and give notice to the Engineer in accordance with Article 5 of the Contract Agreement with a copy to the Owner in the following words:

The work on the Contract for the _____ having been fully completed except as stipulated hereinbelow, it is requested that a final inspection be made promptly by the Engineer in accordance with Article 5 of the Contract Agreement. The following Work is incomplete through no fault of the Contractor:

No final inspection shall be made until such time as the Engineer has received a letter in the exact form indicated above and a copy thereof has been received by the Owner. In the event the Contractor shall have issued the "Notice of Readiness for Final Inspection" prematurely [hereinafter referred to as "false start"] he shall be liable for the damage resulting from the aforesaid false start including but not limited to the salaries, professional fees, and travel and living expenses of the persons or parties inconvenienced by the aforesaid false start. The Contractor acknowledges and agrees that he has an indivisible, non-delegable, and non-transferable contractual obligation to the Owner to make its own inspections of the Work at all stages of construction; and the Contractor shall supervise and superintend performance of the Contract in such manner as to enable it to confirm and corroborate at all times that all Work has been executed strictly, literally, rigidly, and inflexibly in accordance with the methods and materials designated in the Contract Documents so that (a) its certifications on periodical estimates shall be true and correct and (b) its notice of readiness for final inspection shall be true and correct. Accordingly, the Contractor agrees that it may not defend or excuse any deviation from the Contract Documents on the ground (a) that the deviation was not brought to its attention by another person or party or other persons or parties or (b) that a Subcontractor is, or Subcontractors are, at fault.

(h) *Final Acceptance.*—If the Engineer finds the Work of the Contractor complete and acceptable in accordance with the provisions of the Contract Documents and that the Record Drawings accurately depict the complete Work, the Engineer will recommend to the Owner that the Project be accepted and that final payment be made. In the event that the final inspection reveals deficiencies in meeting the Contract requirements, the Contractor shall complete all remaining items of Work, and make adjustments found to be necessary. Upon receipt of written notice from the Contractor that the Work is complete and ready for re-inspection, the Engineer will make another final inspection. The Contractor will be notified, in writing, by the Owner of the final acceptance of the Work. The date of final acceptance shall be the beginning of the warranty period.

(i) *Liens.*—Neither the final payment or any part of the retained percentage shall become due until the Contractor has furnished the Owner proper and satisfactory evidence (under oath if required) that all claims for labor employed and materials used in the construction of the Work under this Contract have been paid, satisfied or waived, and that no claims can be filed against the Owner for such labor or materials. If required, the Contractor shall deliver to the Owner a complete release of all liens or claims arising out of this Contract, and an affidavit that so far as it has knowledge or information the releases include all labor and materials for which a lien or claim could be filed; provided, however, that the Contractor may, if any Subcontractor or claimant refuses to furnish a release, furnish a bond satisfactory to the Owner to indemnify the Owner against any lien or claim. If any lien or claim remains unsatisfied after all payments are made, the Contractor shall refund to the Owner all moneys that the Owner may be compelled to pay in discharging such lien or claim, including all costs and a reasonable attorneys' fees.

(j) *Compliance with O.C.G.A. §§ 13-10-80 and 13-10-81.*—For purposes of O.C.G.A. § 13-10-80(b) the term “substantial completion of the Work” shall mean that “the Work has been satisfactorily completed and is accepted in accordance with the Contract Documents.” If upon completion of the second “final” inspection provided for in subsection (g) of this Article there are still remaining (i) any disputed indebtedness or (ii) if there are liens upon the property, or (iii) there are any items of Work uncompleted which in the opinion of the Engineer are “incomplete items” within the meaning of O.C.G.A. §§ 13-10-80(b)(2)(B) and/or 13-10-81(c), an amount equal to two hundred percent (200%) of each such item of indebtedness, lien or uncompleted Work as determined by the Engineer shall be withheld until such item or items are paid, settled or completed and the remaining retainage shall be paid to the Contractor.

Article 31. - Certificates of Payment.—(a) *Issuance.*—If the Contractor has made application for payment as provided under Article 30, the Engineer shall not later than the date when each payment falls due issue to the Owner a certificate for such amounts as he decides to be properly due or state in writing his reasons for withholding a certificate.

(b) *Warranty of Title.*—The Contractor warrants that title to all Work and products covered by a Certificate of Payment, whether incorporated into the Project or not, will pass to the Owner upon the receipt of such payment by the Contractor, free and clear of all liens, claims, security interests or encumbrances except retention equal in percentage to that being retained by the Owner.

(c) *Effect.*—No Certificate issued, or payment made to the Contractor, or partial or entire use of occupancy of the Project by the Owner shall be an acceptance of any Work or materials not in accordance with the Contract Documents. The making of the final payment shall constitute a waiver of all claims by the Owner other than those arising from unsettled liens, from faulty work appearing after final payment, or from the requirements of the Contract Documents, including but not limited to the provisions of Article 5, Hazards and Indemnification, of these General Conditions. Acceptance of the final payment shall operate as and shall be a release by the Contractor to the Owner from all claims of any kind or character arising out of or related to the Contract except for such specific amount or amounts as may have been withheld to cover the fair value of any incomplete Work which has been certified by the Engineer under the provision of Paragraph (d) of Article 5 of the Contract Agreement as incomplete through no fault on the part of the Contractor.

(d) *Date and Rate of Payment.*—Progress payments will be made by the Owner to the Contractor in accordance with Article 4 of the Contract Agreement. Final payment will be made in accordance with Article 5 of the Contract Agreement. The date and rate of payment are subject to Article 32 of the General Conditions. Sums retained pursuant to this Article are and remain the property of the Owner until such time as the Contractor shall have become entitled to receive payment of such retainage by complying with the full terms of the Contract Documents.

(e) *Delays in Making Payments.*—The date on which any progress payment is due shall be extended for such period of time as may be necessary in the determination of the Engineer for the Contractor to remedy any incorrect or incomplete application for payment.

(f) *Interest.*—Should the Owner fail to pay the sum named in any certificate of the Engineer when due, the Contractor shall receive, in addition to the sum approved in the certificate, simple interest thereon at the legal rate; PROVIDED, however, that the Contractor shall have given the Owner written notice of the date on which payment was properly due, and no interest shall be payable if the Owner makes payment when due or within three days after receipt of the aforesaid notice from the contractor. Such notice shall be in writing, and shall set forth:

- (1)— A short and concise statement that interest is due pursuant to this Article;
- (2)— The principal amount of the progress or final payment which is allegedly due to the Contractor; and,
- (3)— The first day and date upon which the Contractor alleges that interest will begin to accrue, pursuant to this Article.

(g) *Integration with the Prompt Pay Act (O.C.G.A. § 13-11-1, et seq.).*—The provisions of the Contract Documents with respect to time limits for payments, grounds for withholding payment, conditions authorizing payments, and interest on late payments shall supersede all provisions of the Georgia Prompt Pay Act, as originally enacted or as amended, and any dispute arising between the parties hereto as to whether or not the provisions of this Contract or the Georgia Prompt Pay Act control will be resolved in favor of the terms of these Contract Documents.

Article 32. - Payments Withheld.—The Engineer may withhold or, on account of subsequently discovered evidence, nullify the whole or a part of any certificate to such extent as may be necessary to protect the Owner from loss on account of:

- (a)—Defective work not remedied;
- (b)—Claims filed or reasonable evidence indicating probable filing of claims;
- (c)—Failure of the Contractor to make payments properly to Subcontractors or for materials or labor;
- (d)—A reasonable doubt that the Project can be completed for the unpaid balance of the Contract Price.
- (e)—Damage to another Contractor or to some third party;
- (f)—Failure to maintain a rate of progress in accordance with the currently approved construction progress schedule;
- (g)—Failure to supply enough skilled workers or proper materials; or,
- (h)—Failure to complete all Work within the Contract Time.

When the above grounds are removed, the Engineer shall issue to the Owner a certificate for such withheld amounts as he determines to be properly due, and the Owner shall pay such amounts

within ten (10) days. At the option of the Owner adherence to the construction progress schedule shall be a condition precedent to the right of the Contractor to demand payment of a progress payment. No omission on the part of the Owner to exercise the aforesaid option shall be construed to be a waiver of breach of the construction progress schedule or acquiescence therein, and the Owner may exercise its option from time to time as often as may, in its judgment, be expedient.

Article 33. - Notice of Commencement.—See Notice to Proceed, as used throughout these General Conditions.

Article 34. - Correction of Work after Final Payment.—Neither (1) the final certificate, (2) or any decision of the Engineer, (3) nor payment, (4) nor any provision in the Contract shall relieve the Contractor of responsibility for faulty materials, faulty workmanship, or omission of Work required by the Contract Documents, and the Contractor shall remedy any defects or supply any omissions resulting therefrom and pay for any damage to other Work resulting therefrom. The Owner shall give notice of observed defects or omissions with reasonable promptness. The Contractor shall within the time designated in orders of condemnation and without expense to the Owner, correct, remedy, replace, re-execute, supply omitted Work, or remove from the premises all Work condemned by the Engineer. The Contractor shall give prompt notice in writing to the Engineer, with copy to the Owner, upon completion of the supplying of any omitted Work or the correction of any Work condemned by the Engineer. In the absence of said notice, it shall be and is presumed under this Contract that there has been no correction of the condemned Work or supplying of omitted Work. If the Contractor does not remove, make good the deficiency, correct, or remedy faulty Work, or supply any omitted Work within the time designated in orders of condemnation without expense to the Owner, the Owner, after ten (10) days' notice in writing to the Contractor, may remove the Work, correct the Work, remedy the Work or supply omitted Work at the expense of the Contractor. In case of emergency involving health, safety of property, or safety of life the Owner may proceed at once. Correction of defective Work executed under the Contract Documents or supplying of omitted Work, whether or not covered by warranty of a Subcontractor or materialmen, remains the primary, direct responsibility of the Contractor. The foregoing obligation of the Contractor shall remain in effect until the same shall have been extinguished by operation of the statute of limitations.

As additional security for the fulfillment of such obligation, but in no way limiting the same, the Contractor warrants and guarantees (1) that all work executed under the Contract Documents shall be free from defects of materials or workmanship for a period of one year from the notice of final acceptance of the Work by the Owner, and (2) that for not less than one year from such final acceptance, or for such greater time as may have been designated in the Contract Documents, products of manufacturers shall be free from defects of materials and workmanship. Whenever written guaranties or warranties are called for, the Contractor shall furnish the aforesaid for such period of time as may be required. The aforesaid instruments shall be in such form as to permit direct enforcement by the Owner against any Subcontractor, materialmen, or manufacturer whose guaranty or warranty is called for, and the Contractor agrees that:

- (a) The Contractor is jointly and severally liable with such Subcontractors, materialmen, or manufacturers;

- (b) The said Subcontractors, materialmen, or manufacturers are agents of the Contractor for purposes of performance under this Article, and the Contractor, as principal, ratifies the warranties or guaranties of his aforesaid agents by the filing of the aforesaid instruments with the Owner. The Contractor as principal is liable for the acts or omissions of his agents;
- (c) Service of notice on the Contractor that there has been breach of any warranty or guaranty will be sufficient to invoke the terms of the instrument; provided, however, that the Owner shall have furnished the Contractor with a copy of notice served on the Subcontractor, materialmen, or manufacturer; and,
- (d) The Contractor will bind his Subcontractor, materialmen, and manufacturers to the terms of this Article.

The calling for or the furnishing of written warranties shall in no way limit the contractual obligation of the Contractor as set forth hereinabove. The remedies stated in this Article are in addition to the remedies otherwise available to the Owner, do not exclude such other remedies, and are without prejudice to any other remedies.

Article 35. - Cash Allowances.—The Contractor shall include in the Contract Price all cash allowances named in the Contract Documents and shall cause the Work thus covered to be done by such contractors or firms and for such sums as the Engineer may direct, the Contract Price being adjusted in conformity therewith. The Contractor declares that the Contract Price includes such sums for overhead and profit on account of cash allowances as he deems proper. No demand for overhead and profit other than those included in the Contract Price shall be allowed. The Contractor shall not be required to employ for any such Work persons against whom he has a reasonable objection.

Article 36. – Contractor’s Warranty as to Performance.—The Contractor warrants that it is familiar with the codes applicable to the Work and that it has the skill, knowledge, competence, organization, and plan to execute the Work promptly and efficiently in compliance with the requirements of the Contract Documents. The Contractor having the obligation to keep a competent superintendent engaged on the Work during its progress, to employ only skilled mechanics, and to enforce strict discipline and good order among its employees, the Contractor, itself, is responsible for seeing that the Work is installed in accordance with the Contract Documents. Failure or omission on the part of the Owner, representatives of the Owner, agents of the Owner, resident engineer inspector, clerk-of-the-works, engineers employed by the Engineer, representatives of the Engineer, or the Engineer either to discover or to bring to the attention of the Contractor any deviation from, omission from, or noncompliance with the Contract Documents shall not be asserted by the Contractor as a defense for failure on the Contractor’s part to install the Work in accordance with the Contract Documents or for any other neglect to fulfill requirements of the Contract; nor shall the presence of any one, or all, or any of the foregoing at the site or the fact that any one, or all, or any of the foregoing may have examined the Work or any part of it be asserted as a defense by the Contractor against a claim for failure on its part to install the Work in accordance

with the Contract Documents or for any neglect to fulfill requirements of the Contract. No requirement of this Contract may be altered or waived except in pursuance of a written order of the Owner and in strict accordance with the provisions in the Contract for changes in the Work.

Article 37. - Claims.—(a) *Extra Cost.*—If the Contractor maintains that any instructions by drawings or otherwise involve extra cost to the Owner under this Contract, the Contractor shall give the Owner and the Engineer written notice thereof within a reasonable time after the receipt of such instructions, and in any event before proceeding to execute any change except in emergency endangering life or property. The allowances to the Contractor shall then be as provided under Article 29 of the General Conditions. No claim for extra cost shall be valid unless so made.

(b) *Protest.*—All references to arbitration are deleted from the Contract Documents. Decisions of the Engineer shall be rendered in all cases as provided for under the General Conditions of the Contract, but no decision of the Engineer shall deprive the Owner or the Contractor of any form of redress which may be available under the laws of the State of Georgia to contracting parties. Any decision of the Engineer shall be final and binding on the Contractor in the absence of written notice of protest from the Contractor received by the Owner by registered mail within twelve (12) days of the date of the decision of the Engineer. The Owner shall have twelve (12) days from the date of receipt of a protest within which to investigate and make a reply. There is no provision under the Contract for execution of work “under protest”. A protest must contain (1) the date of the decision of the Engineer to which exception is taken, (2) a statement of the issue or issues, (3) a citation of the provision or provisions of the Contract Documents which govern the issue or issues, (4) a summary of the logical principle or principles on which the protest is based, and (5) a summary of the legal grounds for taking exception. Filing a written notice of protest shall not be grounds for an extension of the Contract Time.

(c) *Shall be Based on the Legal Assertions of the Contractor.*—The Contractor shall assert claims solely on the basis of (a) principles of logic and (b) principles of law to which the Contractor, itself, has prescribed. The Contractor shall not protest a decision or request a conference on the ground merely that a Subcontractor, materialmen, or supplier has protested to the Contractor. Accordingly, the Contractor shall neither file a claim or make a request for a conference with the Owner regarding a claim except as it shall be for the purpose of asserting in the exercise of the Contractor’s best judgment such views, requests, and legal propositions as he deems the Contractor is entitled to maintain independently of any right of any Subcontractor, materialmen, or supplier against the Contractor.

(d) *Conference with the Owner.*—

(1) *Effect of.*—The Owner has no legal obligation to confer orally with the Contractor about the terms of the Contract or its performance and may insist that all transactions and all intercourse shall be in writing. Agreement of the Owner to confer with a Contractor shall not be construed as an offer of the Owner to reconsider or alter the Owner’s policies, practices, procedures, or prior position, and no such agreement shall constitute a waiver of any right or defense of the Owner. Such a conference is without prejudice to any rights or defense of the

Owner. After the conference there will be nothing to confirm since the Owner does not engage itself to do or not to do a thing by agreeing to confer with the Contractor. It is expressly agreed that no conference between the Contractor and the Owner shall cure any failure of the Contractor to give any notice nor shall it cure any breach of any time limit or revive any right in the Contract.

(2) *Conditions precedent to.*—A proposal from the Contractor for a conference in respect to (a) a dispute, (b) a controversy, or (c) an interpretation or construction of any provision of the Contract Documents shall contain (a) a statement of the issue or issues, (b) a citation of the provisions of the Contract Documents which govern the issue or issues, (c) a precise summary of the logical principle or principles on which the issue or issues are based, and (d) a summary of the legal grounds which the Contractor takes with respect to the issue or issues.

(3) *Basis for and Terms of.*—All conferences between the Owner and the Contractor shall be pursuant to, under the terms of, and in accordance with this Article of the General Conditions.

Article 38. - Use of Premises.—The Contractor shall confine its equipment, apparatus, the staging and storage of materials, the operations of its forces, and the Work to limits indicated by law, ordinances, permits, or the Contract Documents and shall not unreasonably encumber the premises with materials. The Contractor shall not load or permit any part of the Work to be loaded with weight that will endanger its safety. The Contractor shall enforce the Engineer’s instructions regarding signs, advertisements, fires, and smoking.

Article 39. - Specification Arrangement.—The Specifications are separated into numbered and titled divisions for convenience of reference. Neither the Owner nor the Engineer assumes any responsibility for defining the limits of any subcontracts on account of the arrangement of the Specifications. Notwithstanding the appearance of such language in the various divisions of the Specifications as, “The Mechanical Contractor”, “The Electrical Contractor”, “The Roofing Contractor”, etc., the Contractor is responsible to the Owner for the entire Contract and the execution of all of the Work referred to in the Contract Documents.

Article 40. - Valuable Material, Geological Specimens.—If during the execution of the Work the Contractor, any Subcontractor, or any servant, employee, or agent of either should uncover any valuable material or materials such as, but not limited to, treasure, geological specimen or specimens, archival material or materials, or ore, the Contractor acknowledges that title to the foregoing is vested in the Owner. The Contractor shall notify the Owner upon discovery of any of the foregoing, shall guard it, and shall deliver it promptly to the Owner. The Contractor agrees that the Geologic and Water Resources Division of the Georgia Department of Natural Resources may inspect the Work at reasonable times consistent with the convenience of the Contractor.

Article 41. - Definitions.—(a) *Applicable Law.*—This Contract shall be governed by the law of Georgia.

(b) *Article Not Plenary.*—This Article is not entire, plenary, or exhaustive of all terms used in the General Conditions which require definition. There are definitions of other terms under Articles to which the terms are related.

(c) *Balanced Bid.*—Balanced Bid shall mean a Bid in which each of the unit prices and total amount bid for each of the listed items reasonably reflects the value of that item with regard to the entire Project considering the prevailing cost of labor, material and equipment in the relevant market. A Bid is unbalanced when, in the opinion of the Owner, any unit prices or total amounts Bid on any of the listed items do not reasonably reflect such actual values.

(d) *Change Order Form.*—The Change Order Form is the instrument by which adjustments in the Contract Price and Contract Time are effected pursuant to changes made in accordance with Case (a), Case (b) or Case (c) of Article 29 of the General Conditions or in accordance with Subparagraph (i) of Article 29 of the General Conditions. The Change Order Form shall be accompanied by a breakdown in the form prescribed in a specimen, which the Owner will supply to the Contractor. The Engineer shall certify to the amount of the adjustment. The Change Order Form shall be signed by the Contractor and the Owner. The breakdown is only for the purpose of enabling the Engineer and the Owner to make a judgment on the dollar amount of the adjustment in the Contract Price. No condition, term, qualification, limitation, exception, exemption, modification, or proviso shall appear in the breakdown. The breakdown shall be in the exact form and language of the above-mentioned specimen. In the event any condition, term, qualification, limitation, exception, exemption, modification, or proviso shall appear in a breakdown, it shall be invalid.

(e) *Contract; Contract Documents.*—The terms Contract and Contract Documents include the Invitation to Bid, Instructions to Bidders, Contractor's Bid (including all documentation accompanying the Bid and any post-Bid documentation required by the Owner prior to the Notice of Award), the Contract Agreement, Bonds, all Special Conditions, General Conditions, Supplementary Conditions, Specifications (Divisions 01 through 46, inclusive), Drawings, and Addenda, together with written amendments, Change Orders, field orders and the Engineer's written interpretations and clarifications issued in accordance with the General Conditions on or after the date of the Contract Agreement. Shop drawing submittals reviewed in accordance with the General Conditions, geotechnical investigations and soils reports, and drawings of physical conditions in or relating to existing surface or subsurface structures at or contiguous to the site are not Contract Documents.

(f) *Contract Time.*—Contract Time shall mean the number of consecutive calendar days as provided in the Contract Agreement for substantial completion of the Project, to be computed from and including the date of the Notice to Proceed. All time limits stated in the Contract Documents or shown on the construction progress schedule are of the essence of the Contract.

(g) *Contractor.*—The Contractor shall mean the party identified in the Contract Agreement and its authorized and legal representatives.

(h) *Cross-reference and Citations of Articles and Paragraphs of the General Conditions.*—

Cross-references and citations of Articles and paragraphs of the General Conditions are for the convenience of the Contractor, Engineer and the Owner, and are not intended to be plenary or exhaustive nor are they to be considered in interpreting the Contract Documents or any part of the Contract Documents.

(i) *Engineer.*—The Engineer shall mean _____ (if no Engineer, put Macon Water Authority).

(j) *Furnished by Owner.*—Furnished by Owner shall mean that the Owner shall pre-purchase specific products and have them delivered to a place mutually agreed upon by the supplier, the Owner and the Contractor, at no cost to the Contractor. In connection with an item furnished by the Owner, “Install” shall mean to take delivery of the item, off-load and transport to the job site, store as necessary and install according to the Drawings and Specifications.

(k) *Install, Deliver, Furnish, Supply, Provide.*—Such words mean the work in question shall be put in place by the Contractor ready for occupancy and use, unless expressly provided to the contrary.

(l) *Damages for Delay by Contractor.*—Damages for Delay by Contractor shall mean the good faith, reasonable estimate of damages stated in the Contract Agreement which the Contractor agrees to pay for each consecutive calendar day beyond the Contract Time required to achieve substantial completion of the Project. Such Damages will end upon written notification from the Owner that the Project is ready for initiation of the Operating Test Period for the total Project.

(m) *Meaning of words and phrases.*—Unless the context or the Contract Documents taken as a whole indicate to the contrary, words used in the Contract Documents that have usual and common meanings shall be given their usual and common meanings and words having technical or trade meanings shall be given their customary meaning in the subject business, trade or profession.

(n) *Notices.*—Unless otherwise provided in the Contract Documents, written notice shall be deemed to have been duly served if delivered in person to the individual or to a member of the firm or to an officer of the corporation for whom it is intended, or if delivered or sent by certified mail to the last business address known to the party that gives notice.

(o) *Notice to Proceed.*—The Notice to Proceed is a written notice from the Owner pursuant to which the Contractor shall commence physical work on the Project site. A Notice to Proceed is a condition precedent to the execution of any Work on the site by the Contractor.

(p) *Order of Condemnation.*—An Order of Condemnation shall be in writing, shall be dated, shall be signed by the Engineer, shall be addressed to the Contractor with a copy to the Owner, and shall contain three elements as follows:

FIRST ELEMENT: Description of Work

(1) which has been omitted or

- (2) which is unexecuted as of the date of the Order of Condemnation, the time for its incorporation into the Work under the construction progress schedule having expired, or
- (3) which has not been executed in accordance with the methods and materials designated in the Contract Documents.

SECOND ELEMENT: Citation of the provision or provisions of the Contract Documents which has or have been violated.

THIRD ELEMENT: Fixing of a reasonable time within which the Contractor shall have made good or remedied the deficiency which said time shall not be deemed to be an extension of Contract Time or deemed to be authorization for amendment to the construction progress schedule.

An Order of Condemnation may be issued for failure of the Contractor to supply enough workers or enough materials or proper materials, the Order of Condemnation in such event being based on Article 28 of the General Conditions and upon the definition of Work as set forth under Article 41(u).

(q) *Owner*.—The Owner shall mean THE MACON WATER AUTHORITY or its authorized and legal representatives.

(r) *Products*.—Products shall mean materials or equipment permanently incorporated into the Work.

(s) *Specifications*.—The term “Specifications” shall include all written matter in the bound volume (Divisions 01 through 46, inclusive) or on the drawings and any addenda or modifications thereto.

(t) *Subcontractor*.—The term Subcontractor as employed herein includes only those having a direct contract with the Contractor. It includes one who furnishes labor and materials which are incorporated into the Work but does not include one who merely furnished materials incorporated into the Work by the labor of others.

(u) *Work; Project*.—The terms Work and Project shall mean the entire completed construction required to be furnished under the Contract Documents.

END OF SECTION

SUPPLEMENTARY CONDITIONS**GENERAL** (Example, if any conditions exist)

The provisions in these Supplementary Conditions shall govern in the event of any conflict between the General Conditions and the provisions herein.

Policy “A”. – Compaction Tests and Shop Drawing Submittals

Please contact Mr. Joel Herndon, the Macon Water Authority’s (the “Owner’s) Chief Inspector, at 478.464.5639 before commencing the construction activity. Compaction tests, where required, shall be performed in accordance with Macon Water Authority’s policy. The Contractor and the soil testing laboratory shall contact Mr. Herndon before the testing. The location at which the tests are performed will be decided by our inspection crew. The test report shall be submitted to the Engineering Division before the Owner can accept the Project for operation and maintenance. The Contractor shall submit five (5) copies of the shop drawings (ductile iron pipe, gate valve, valve box, ductile iron fittings, fire hydrant, manholes, manhole frames and covers, gravity sewer pipe, support structures, appurtenances, etc.) before installation. The Contractor will not be permitted to install materials and appurtenances until all the shop drawings are approved. The Contractor shall submit two copies of as-built drawings after the completion of construction but before the Project is accepted for operation and maintenance. The as-built drawings shall include the following for water/sewer portion of the Project: location of water main, valves, fire hydrants, fittings, water services to each lot, location of sewer mains, manholes (including rim and invert elevations), distance and angle between manholes, distance and length of each lateral from manholes, location of water main, gate valves, fire hydrants and fittings, width of easements and any other pertinent information.

Note: See Section 01720 for additional requirements.

Policy “B”. – Televising: NOT USED

Policy “C”. – As-Builts: Produce and submit “AS-BUILT” survey of the generator, electrical lines to and from transfer switch, and any other underground utilities that were encountered during the installation. As-Builts shall be prepared by a licensed Professional Engineer or Georgia Registered Land Surveyor, as appropriate for the project, and shall be submitted before the project is accepted by the Owner for operation and maintenance and before any project plat is signed.

The As-Built drawings shall be submitted in either the (.dxf) or the (.dwg) version DWG 2010 or later on a USB Flash Drive, along with two (2) sets of plans in the same format as shown on the drive. The As-Built drawings shall be submitted on a (24” x 36”) sheet. The vertical and horizontal accuracy of the as-builts shall be within 0.1-foot accuracy.

All relative information such as right-of-way, property corners, state plane monuments, etc. shall be located and tied to Georgia State Plane Coordinates.

Policy “D” – Payment Estimate Form – The Contractor shall generate an EXCEL spreadsheet listing all items in the Proposal and columns for quantities this period, total this period, total quantities to date, and total amount to date for a detail backup for the attached pay estimate summary sheet.

MWA PAY ESTIMATE FORM – FOLLOWS ON SEPARATE PAGE

- **Project Milestone & Scheduling-** It is the desire of the Owner to complete this Project within the Contract Time allocated in the Contract Documents.

END OF SECTION



PAY ESTIMATE

Summary Sheet

Macon Water Authority

790 Second Street P.O. Box 108
Macon GA 31202
Phone: (478) 464-5600
Fax: (478) 738-3864

Project Name: _____

MWA's Project Number: 51LP-DIG6-25

Pay Estimate Number: _____ Partial: _____

Pay Period: _____ Final: _____

Original Contract Amount: \$ _____

Total Change Orders to Date: _____

Current Contract Amount: \$ _____

Original contract Work Performed to Date: _____

Change Order Work Performed to Date: _____

Materials Stored on Job Site: _____

Subtotal: _____

Less (5 %) Previous Retainage: _____

Subtotal: _____

Less Previous Payments: _____

Current Invoice Amount: _____

Less (5 %) Current Retainage: _____

Balance Due This Payment: _____

According to the best of my knowledge and belief, all items and amounts shown on the face of this Pay Estimate are correct; that all Work has been performed or materials supplied, or both, in full accordance with the requirements of the Contract Documents, or duly authorized deviations or additions thereto; that the foregoing is a true and correct statement of the Contract Price account up to and including the last day of the period covered by this Pay Estimate; that none of the "Balance Due This Payment" has been received, and that the undersigned and its Subcontractors have complied with all the labor provisions of the Contract Documents.

The Contractor further certifies that on those items of Work not disputed that all payables, materials, bills, and other indebtedness connected with the Work have been paid (less retention equal to that being retained by the Owner) for Work covered by previous payments. Quantities on request for partial payment are estimated only. Final quantities are by a final survey and "as built" drawings by Contractor.

(Contractor's Company Name-PRINT)

By: _____
(Signature of Contractor's Authorized Representative)

Date: _____

Title: _____

By: _____
MWA-Inspector

By: _____
Project Engineer

By: _____
MWA-Project Manager

Date: _____

Date: _____

Date: _____

SECTION 01010**SUMMARY OF WORK****PART 1 GENERAL****1.1 DESCRIPTION**

- A. The Work to be performed under this Contract shall consist of furnishing all labor, materials, tools, equipment and incidentals and performing all operations in connection with Digester #6 to include the inside of its lid and fifteen (15) drying beds at the Lower Poplar WRF.
- B. All Work described above shall be performed as specified in writing to the Contractor. All work shall be done by those skilled in the type of work involved. When new work adjoins, connects or abuts existing work, the latter shall be altered as necessary and the work connected in a substantial and approved workmanlike manner. All work shall match as nearly as practical the existing, adjoining, and/or adjacent similar work. All existing work which is to remain, that is moved or disturbed or damaged by the contractor's operations shall be restored properly to original condition or replaced at no cost to the Owner.

1.2 PROJECT LOCATION

The equipment and materials proposed to be installed are shown on the project plans. The bidders are encouraged to visit the work sites and acquaint themselves with all the requirements of these specifications and all local conditions that may affect the work.

1.3 QUANTITIES

The exact quantities and dates of service are unknown at this time. The Owner reserves the right to alter the quantities of work to be performed or to extend or shorten the improvements at any time when and as found necessary, and the Contractor shall perform the work as altered, increased or decreased. Payment for such increased or decreased quantity will be made in accordance with the Instructions to Bidders. No allowance will be made for any change in anticipated profits nor shall such changes be considered as waiving or invalidating any conditions or provisions of the Contract.

1.4 SCOPE OF WORK

The work to be performed will include, but is not limited to the following items, which shall be provided by the contractor:

- A. Furnishing all labor, materials, tools, equipment and incidentals and performing all operations in connection with:
 - a. Digester Cleaning
 - i. Utilize vacuum trucks to remove all waste and sludge inside of digester.

- ii. Pressure wash to rinse clean the interior of the clarifier tank. Ensure free-standing material is cleaned as well and any remaining solids or rags.
 - iii. Vacuum all residual waste and wash water and transfer the waste onsite.
 - iv. Offload all the material into the drying beds.
 - b. Drying Beds
 - i. Allow material to remain in the beds until moisture content is below acceptable landfill levels to be profiled as dry.
 - ii. Remove material from drying beds so as not to damage drainage systems.
 - iii. Haul material to an approved waste disposal site.
 - iv. Clean all work areas.
- B. Work is to be performed Monday through Friday. Work hours can be during regular business hours or from sunrise to sunset. Any weekend work must be approved by the Owner and properly notified, preferably 48 hours in advance.
- C. Contractor acknowledges and agrees that restroom facilities at the project site are not available for use by Contractor or its employees, agents, or subcontractors. Contractor shall ensure that all such personnel utilize restroom facilities located off-site or at Contractor's option, Contractor may, at its sole cost and expense, provide and maintain a portable toilet (e.g., port-a-potty) for use by its employees, subject to Owner's prior approval of the type and placement, and in compliance with all applicable laws, regulations, and sanitation requirements.
- D. Waste disposal fees shall be the sole responsibility of the Contractor. Approved disposal sites include Wolf Creek Landfill, which operates Monday through Friday from 5:30 a.m. to 4:30 p.m. and Saturday from 7:00 a.m. to 10:00 a.m., and Houston County Landfill, which operates Monday through Saturday from 7:00 a.m. to 5:00 p.m.
- E. Contractors will be able to use the hydrant on-site.
- F. If Contractor elects to open the digester manway at the stairwell for the purpose of draining the digester, Contractor shall, prior to initiating such work, fully seal and secure the floor drain located within that area to prevent any inflow of water or other materials into the building. Contractor shall properly seal the floor drain in a manner sufficient to prevent flooding during the course of the work. In the event the floor drain seal fails, or if flooding occurs due to improper installation, inadequate sealing, negligence, or actions of the Contractor, the Contractor shall be solely responsible for all resulting consequences, including but not limited to water removal, cleanup, remediation, repair of damaged property, restoration of affected areas, and payment for any related losses or damages.

Upon completion of the work, Contractor shall remove all sealing measures, thoroughly clean and restore the affected area to its original condition, and fully reopen and return the floor drain to normal operation.

All labor, materials, precautions, cleanup, and restoration associated with this activity shall be the sole responsibility of the Contractor.

- G. **Access to Digester Contents / Decanting Responsibility.** Contractor shall be solely responsible for accessing and managing digester contents, including any decanting operations required to lower the liquid level below the elevation of any manway. Contractor may utilize either the top (lid) manway or the stairwell side manway for access, at its discretion. All means, methods, labor, equipment, and safety precautions associated with such access and decanting activities shall be the sole responsibility of the Contractor.
- H. **Manway Opening and Removal.** Contractor shall be solely responsible for the opening, removal, handling, and reinstallation (if applicable) of all manways required for the Work. This responsibility includes all labor, equipment, materials, and safety measures necessary to perform these tasks.
- I. Contractor understands that hauling operations may be affected by rainfall and resulting moisture conditions within the drying beds. Material may require additional drying time following rain events before it can be accepted for hauling or disposal.

The Owner acknowledges that weather-related impacts may temporarily delay hauling operations when conditions are not suitable for transport or disposal. Contractor shall make reasonable efforts to minimize such delays through proper planning, scheduling, and use of available measures such as stockpiling, staging, or other practical handling methods when feasible.

When weather conditions materially impact hauling operations, Contractor shall promptly notify Owner and provide an updated anticipated schedule. Reasonable extensions of time may be considered for documented delays directly caused by adverse weather conditions, but no additional compensation shall be due unless otherwise approved in writing by Owner.

1.5 PARTIAL OWNER OCCUPANCY

The existing facilities to which these improvements are being made will continue operation during the period of construction.

PART 2.0 CONSTRUCTION SPECIFICATIONS

2.1 CONSTRUCTION

- A. **Guarantee:** In the event that an examination by the Owner reveals evidence of defective materials or workmanship within a period of one year after final completion and acceptance of the work, the Owner may order such defective

material replaced and the contractor shall remove and replace the material at his own expense, in a manner acceptable to the Owner.

2.2 PAYMENT

- A. Payment: All work included in the contract will be paid for on a lump sum price basis (see Bid)

END OF SECTION

ALLOWANCES

PART 1 - GENERAL

1.01 DESCRIPTION

- A. The Contractor shall include in his lump sum bid proposal the allowances stated on the Bid Form. The contractor shall cause the work covered by this allowance to be provided by such suppliers as the Owner may select. The Contractor's cost for overhead and profit, handling, coordinating and any other costs that are necessary to complete items to be completed using allowances will be agreed to in writing by all parties prior to any work beginning.

PART 2 – PRODUCTS: As noted on the Bid Form.

PART 3 – EXECUTION

3.01 PREPARATION

- A. Contractor shall submit proposals for all work to be covered by Allowances.

END OF SECTION

MEASUREMENT AND PAYMENT

PART 1 GENERAL

1.01 SCOPE

- A. The Bid lists each item of the Project for which payment will be made. No payment will be made for any items other than those listed in the Bid.
- B. Required items of work and incidentals necessary for the satisfactory completion of the work which are not specifically listed in the Bid, and which are not specified in this Section to be measured or to be included in one of the items listed in the Bid, shall be considered as incidental to the work. All costs thereof, including Contractor's overhead costs and profit, shall be considered as included in the lump sum or unit prices bid for the various Bid items. The Contractor shall prepare the Bid accordingly.
- C. Work includes the clearing and mowing of various existing easements, complete as specified herein, when executed as a separate bid item for the restoration or maintenance of access along the easement. Furnishing all labor, equipment, tools and materials, which are not furnished by the Owner and performing all operations required to complete the work satisfactorily, in place, as specified.

1.02 DESCRIPTIONS

- A. Measurement of an item of work will be by the unit indicated in the Bid.
- B. Final payment quantities shall be determined from documented measurements.
- C. Payment will include all necessary and incidental related work not specified to be included in any other item of work listed in the Bid.
- D. Unless otherwise stated in individual sections of the Specifications or in the Bid, no separate payment will be made for any item of work, materials, parts, equipment, supplies or related items required to perform and complete the work. The costs for all such items required shall be included in the price bid for item of which it is a part.
- E. Payment will be made by extending unit prices multiplied by quantities provided and then summing the extended prices to reflect actual work. Such price and payment shall constitute full compensation to the Contractor for furnishing all labor, equipment, tools and materials not furnished by the Owner and for performing all operations required to provide to the Owner the entire Project, complete in place, as specified and as indicated on the Drawings.
- F. "Products" shall mean materials or equipment permanently incorporated into the work.

1.03 CASH ALLOWANCES – See Section 01020 – Allowances.

1.04 MOBILIZATION

- A. No separate payment shall be made for mobilization. All mobilization costs shall be included in the unit price bid for the item to which it pertains.

END OF SECTION

SAFETY IN WATER / WASTEWATER WORKS

PART 1 - GENERAL

1.01 SCOPE

- A. The Contractor shall be responsible for conducting all Work in a safe manner and shall take reasonable precautions to ensure the safety and protection of workers, property and the general public. The Contractor's responsibility for protection is described in Articles 21 and 22 of the General Conditions.
- B. All construction shall be conducted in accordance with the latest applicable requirements for Part 1926 of the Occupational Safety and Health Act, Safety and Health Regulations for Construction, Section 107 of the Contract Work Hours and Safety Standards Act, as well as any other local, state or federal safety codes and regulations.
- C. The Contractor shall designate a trained and qualified employee who is to be responsible for ensuring that the Work is performed safely and in conformance with all applicable regulations.
- D. The Contractor shall determine the safety hazards involved in prosecuting the Work and the precautions necessary to conduct the Work safely. If the Contractor is unsure as to any special hazards which may be unique to the various processes and facilities at the project site, it shall be Contractor's responsibility to determine such information prior to beginning the Work.
- E. The Contractor shall bear all risks associated with performing the Work and shall fully indemnify and hold harmless the Owner and Engineer.

1.02 SPECIAL REQUIREMENTS – Not Used.

END OF SECTION

CONTRACT CLOSEOUT PROCEDURES

PART 1 – GENERAL

1.01 REQUIREMENTS INCLUDED

- A. Administrative provisions for Substantial Completion and for final acceptance.

1.02 RELATED REQUIREMENTS – If applicable.

- A. Section 01340 – Shop Drawings, Product Data and Samples
- B. Section 01720 – Record Documents
- C. Section 01730 – Operation and Maintenance Data
- D. Section 01740 – Warranties and Bonds

1.03 SUBSTANTIAL COMPLETION

- A. When the Contractor considers the work substantially complete, he shall prepare a punch list of uncompleted items and send to the Engineer for review. At the same time, the Contractor shall request in writing that the Engineer schedules a pre-final inspection.
- B. The Engineer will review the punch list submitted by the Contractor and determine if the project is substantially complete.
- C. If the Engineer determines that the project is not substantially complete, he will notify the Contractor in writing which items need to be finished before the project can be considered substantially complete. The Contractor shall continue working to complete all punch list items and resubmit a revised punch list when he considers the work is substantially complete.
- D. When the Engineer determines that the work is substantially complete, he will schedule a pre-final inspection with the Owner, Contractor and Engineer. A final punch list will be prepared at this time.
- E. After all punch list items have been completed, the Contractor shall send a request in writing to the Engineer to schedule a final inspection. When all punch list items are complete, the Engineer will issue a certificate of substantial completion.

1.04 FINAL COMPLETION

- A. When the Contractor considers that all of the work is complete, he shall submit the following certificates:
 - 1. All work has been completed and inspected for compliance with the Contract Documents and all deficiencies listed with the certificate of substantial completion have been corrected.
 - 2. All equipment and systems have been tested, adjusted and are fully operational.
 - 3. Owner's personnel have been fully instructed in the operation of all equipment (include sign off for each system).
 - 4. Work is complete and ready for final inspection.
- B. Should Engineer's inspection find work incomplete, he will promptly notify Contractor in writing listing observed deficiencies.
- C. Contractor shall remedy deficiencies and send a request for another final inspection.
- D. When Engineer finds work is complete, he will process final pay request documents.

1.05 REINSPECTION FEES – If applicable.

- A. Should status of completion of work require reinspection by Engineer due to failure of work to comply with Contractor's claims on pre-final or final inspection, the Owner will back charge the Contractor for each extra reinspection required of the Engineer. The Contractor shall reimburse the Owner by certified check prior to final payment of retainage.

1.06 CLOSEOUT SUBMITTALS – If applicable.

- A. Evidence of Compliance with Requirements of Governing Authorities –
 - 1. Certificate of Occupancy as required by local codes.
 - 2. Certificates of Inspection approvals required for plumbing, mechanical and electrical systems as required by local codes if applicable.
 - 3. Project acceptance and punchlist items as required by Macon Water Authority Inspector.
- B. Project Record Documents – Under provisions of Section 01720.
- C. Operation and Maintenance Data – Under provisions of Section 01730.

- D. Warranties and Bonds – Under provisions of Section 01740.
- E. Keys and Keying Schedule.
- F. Evidence of Payment and Release of Liens – In accordance with Conditions of the Contract.
- G. Consent of Surety to Final Payment – Consent of Surety is to be sent by Surety directly to Carter and Sloope to the attention of the Project Engineer.

1.07 APPLICATION FOR FINAL PAYMENT

- A. Prior to application for final payment, the Contractor shall give the Engineer a list of all additions or deletions not previously approved by change order.
- B. The Engineer will review this list and prepare a final closeout change order for the items that are justified by the terms of the contract or approved by field order.
- C. After approval of the final closeout change order the Contractor may submit his application for final payment.

PART 2 – PRODUCTS: Not Used.

PART 3 – EXECUTION: Not Used.

END OF SECTION

WARRANTIES AND BONDS

PART 1 GENERAL

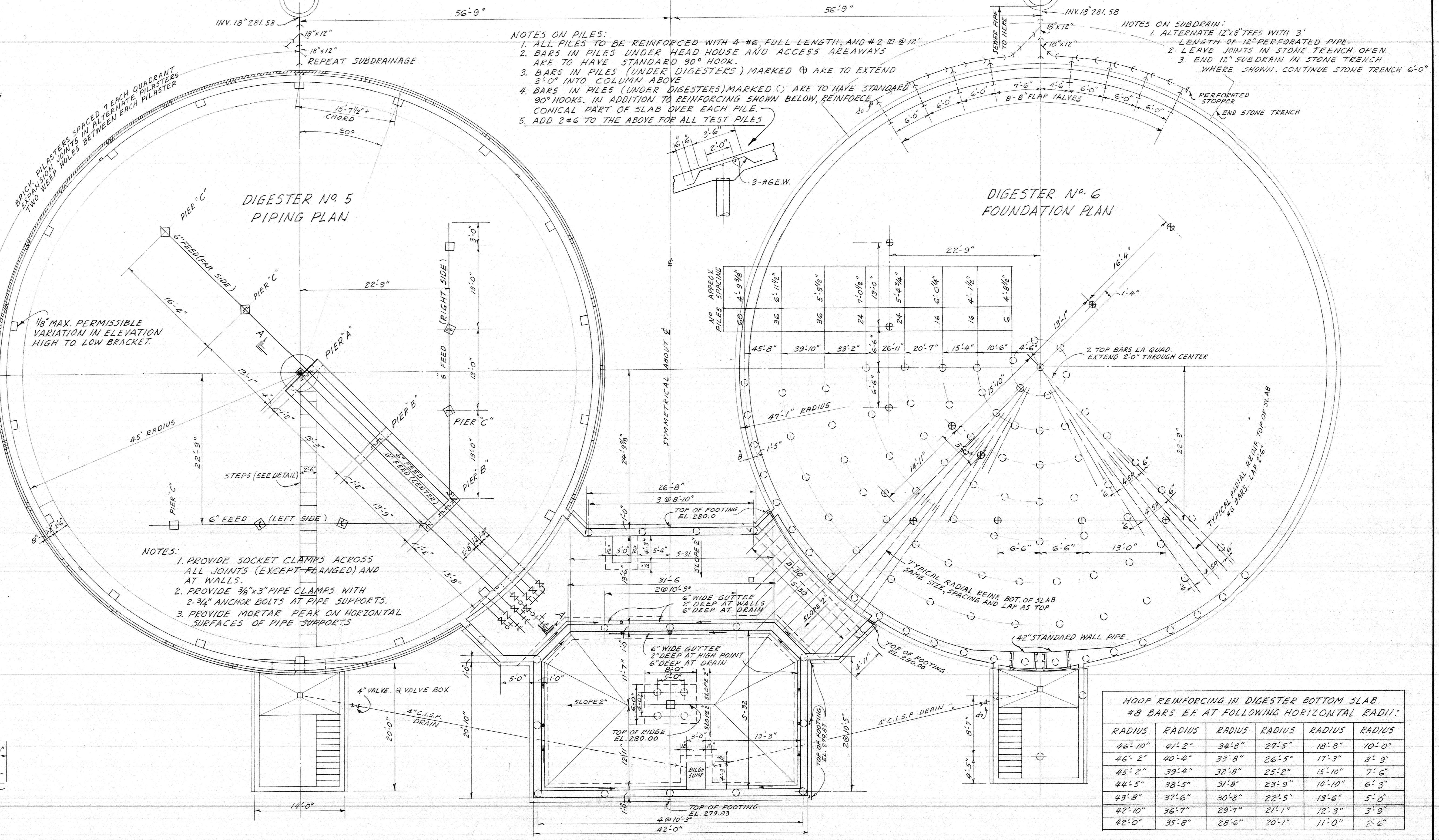
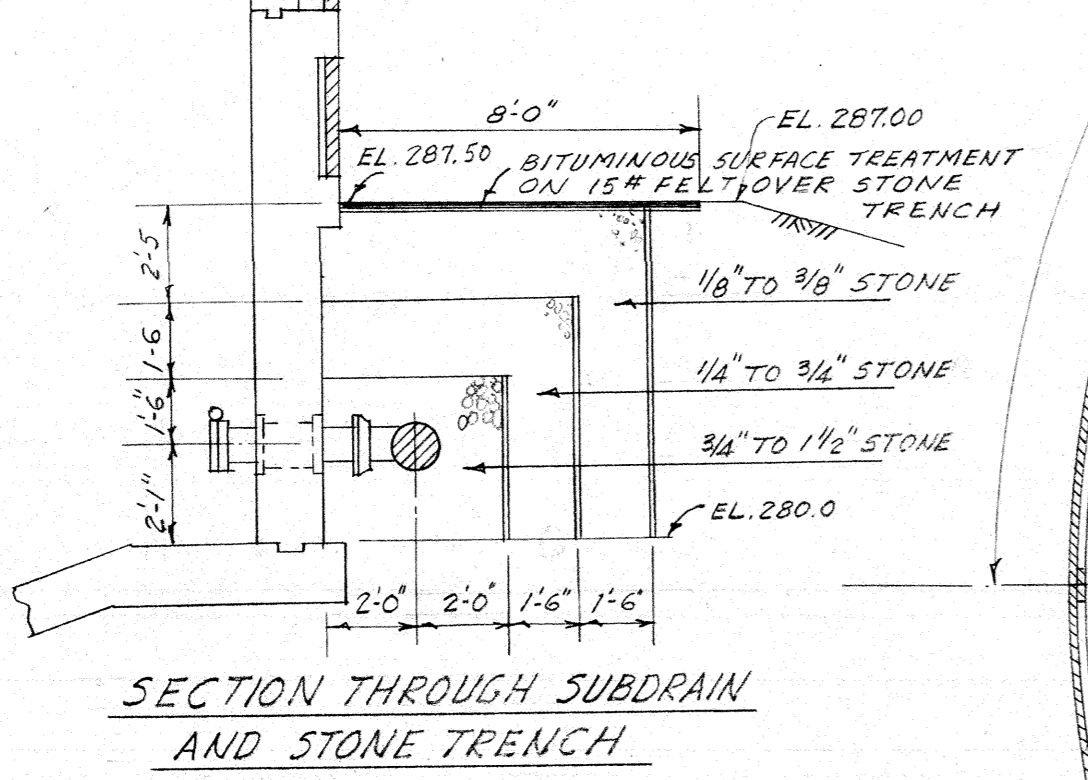
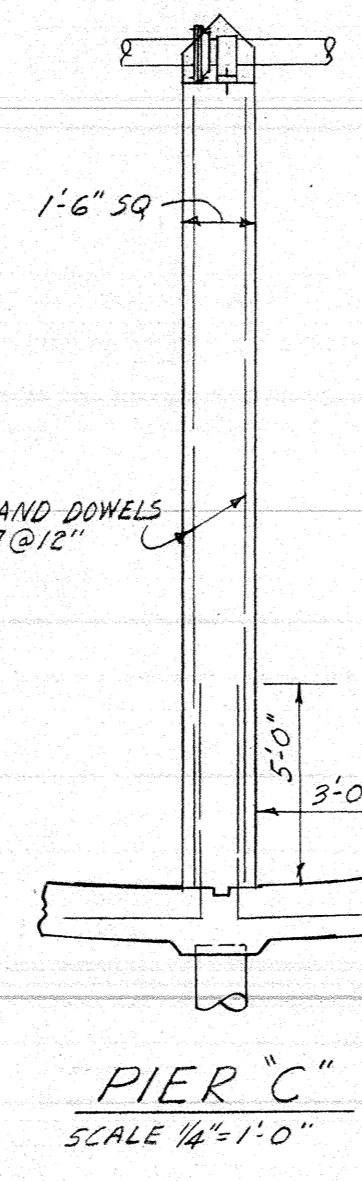
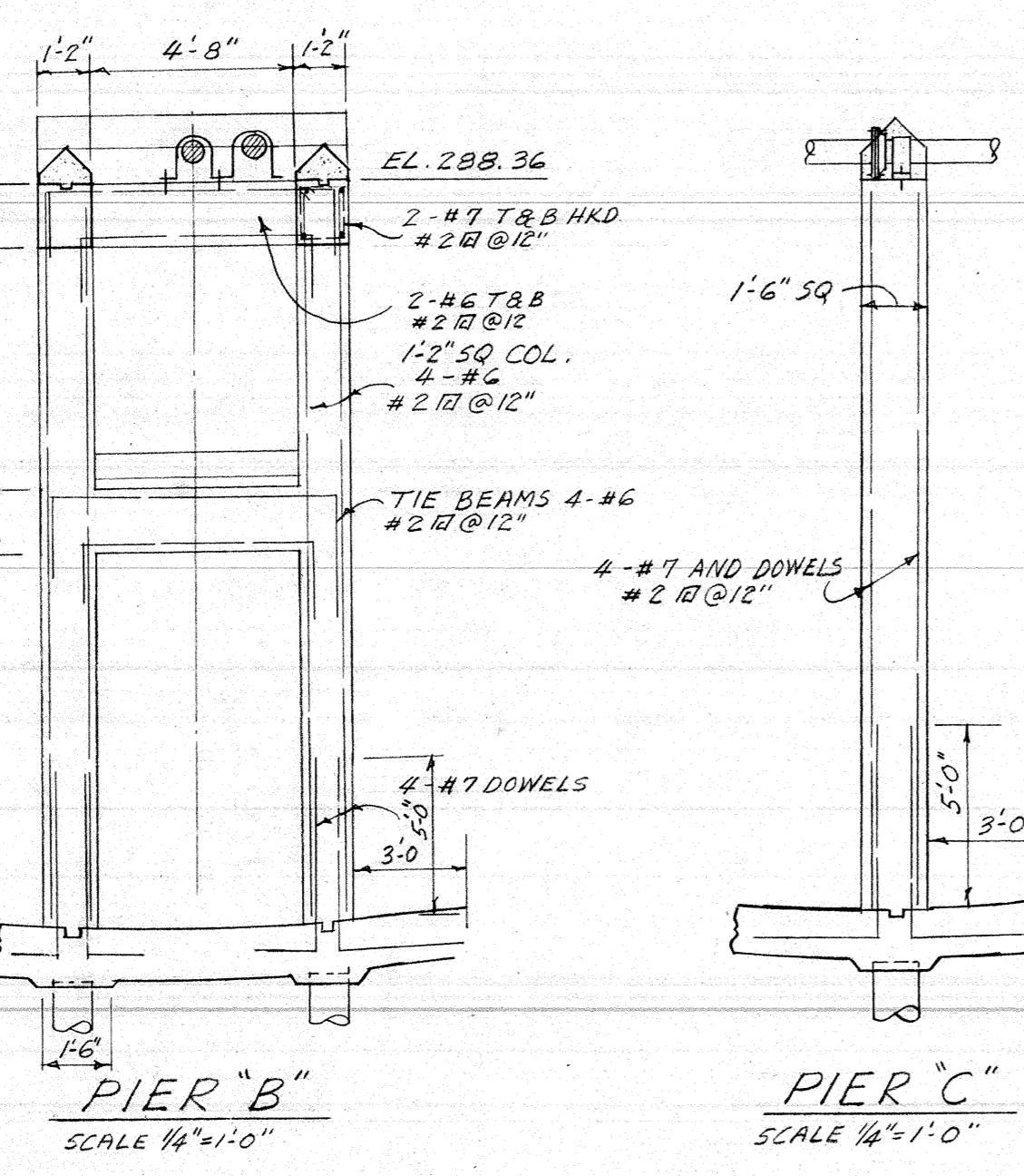
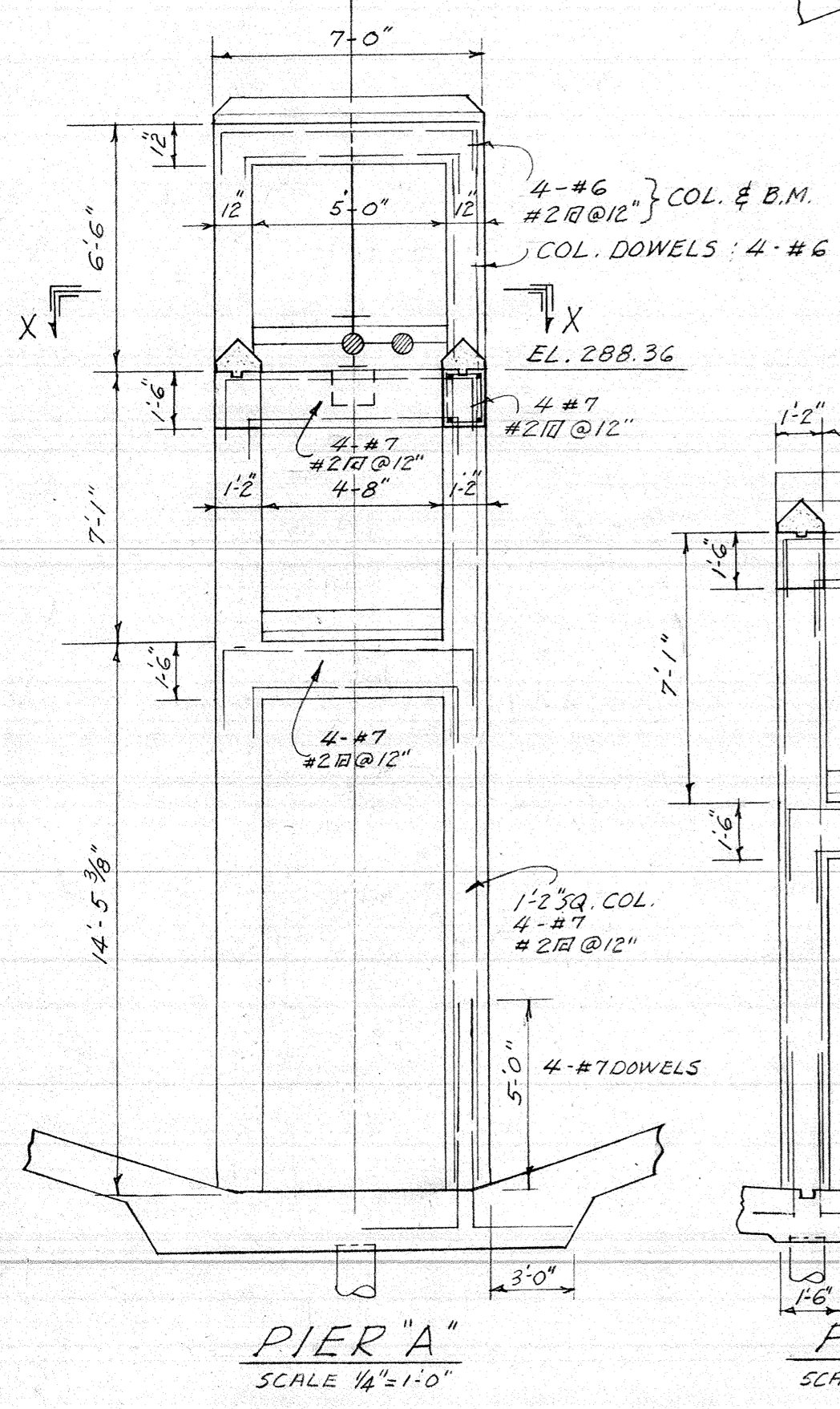
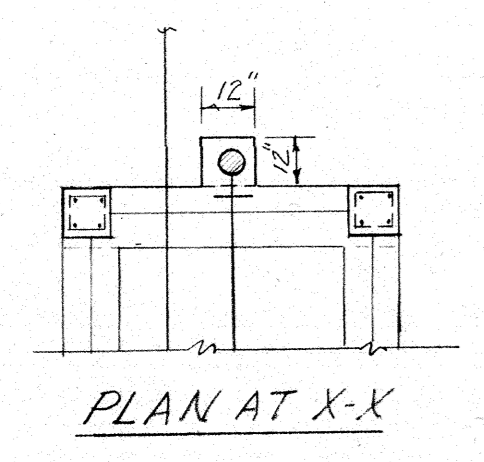
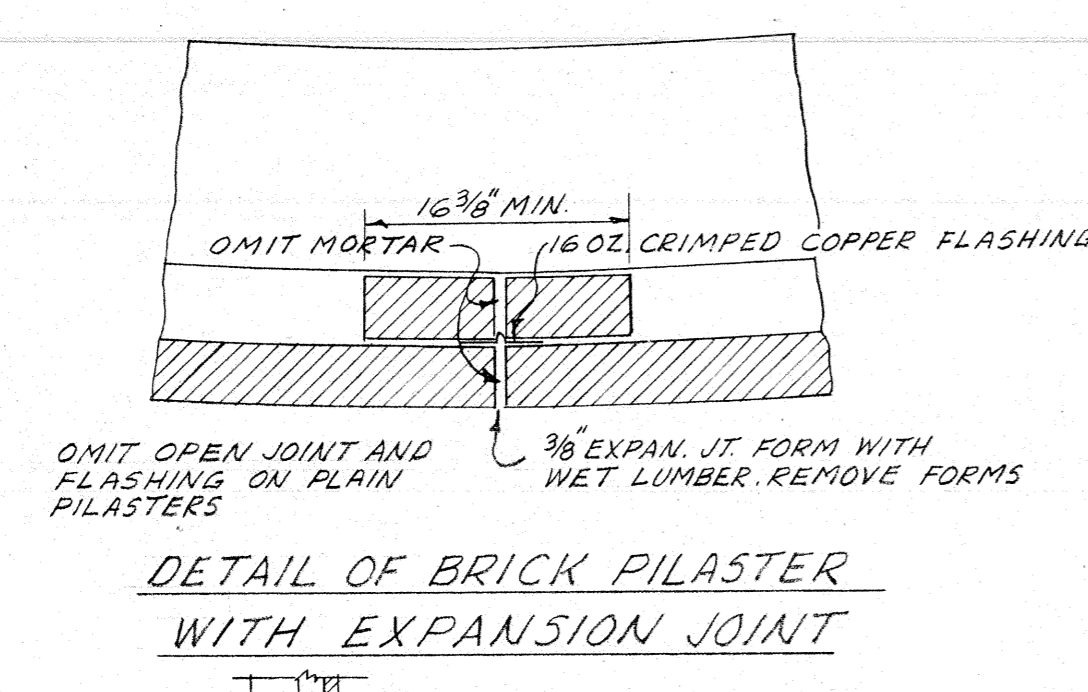
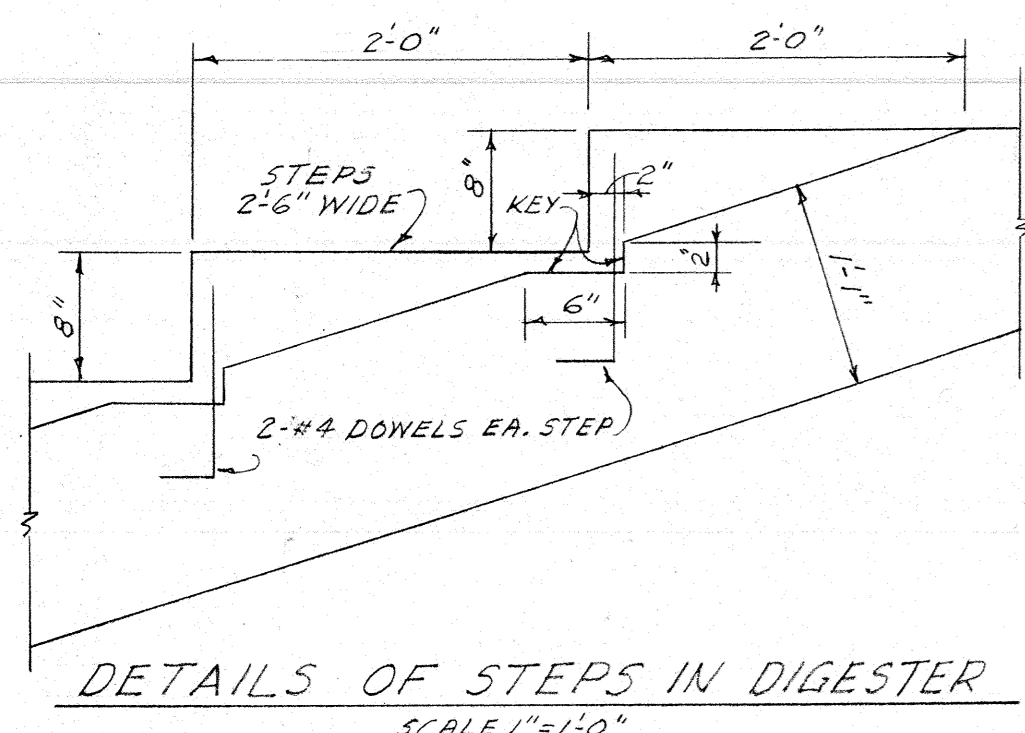
1.01 PROJECT MAINTENANCE AND WARRANTY

- A. Maintain and keep in good repair the Work covered by these Drawings and Specifications until acceptance by the Owner.
- B. The Contractor shall warrant for a period of one year from the date of Owner's written acceptance of certain segments of the Work and/or Owner's written final acceptance of the Project, as defined in the Contract Documents, that the completed Work is free from all defects due to faulty products or workmanship and the Contractor shall promptly make such corrections as may be necessary by reason of such defects. The Owner will give notice of observed defects with reasonable promptness. In the event that the Contractor should fail to make such repairs, adjustments or other work that may be made necessary by such defects, the Owner may do so and charge the Contractor the cost thereby incurred. The Performance Bond shall remain in full force and effect throughout the warranty period.
- C. The Contractor shall not be obligated to make replacements which become necessary because of ordinary wear and tear, or as a result of improper operation or maintenance, or as a result of improper work or damage by another Contractor or the Owner, or to perform any work which is normally performed by a maintenance crew during operation.
- D. In the event of multiple failures of major consequences prior to the expiration of the one year warranty described above, the affected unit shall be disassembled, inspected and modified or replaced as necessary to prevent further occurrences. All related components which may have been damaged or rendered non-serviceable as a consequence of the failure shall be replaced. A new 12 month warranty against defective or deficient design, workmanship, and materials shall commence on the day that the item is reassembled and placed back into operation. As used herein, multiple failure shall be interpreted to mean two or more successive failures of the same kind in the same item or failures of the same kind in two or more items. Major failures may include, but are not limited to, cracked or broken housings, piping, or vessels, excessive deflections, bent or broken shafts, broken or chipped gear teeth, premature bearing failure, excessive wear or excessive leakage around seals. Failures which are directly and clearly traceable to operator abuse, such as operations in conflict with published operating procedures or improper maintenance, such as substitution of unauthorized replacement parts, use of incorrect lubricants or chemicals, flagrant over or under lubrication and using maintenance procedures not conforming with published maintenance instructions, shall be exempted from the scope of the one year warranty. Should multiple failures occur in a given item, all products of the same size and type shall be disassembled, inspected, modified or replaced as necessary and rewarranted for one year.

- E. The Contractor shall, at Contractor's own expense, furnish all labor, materials, tools and equipment required and shall make such repairs and removals and shall perform such work or reconstruction as may be made necessary by any structural or functional defect or failure resulting from neglect, faulty workmanship or faulty materials, in any part of the Work performed by the Contractor. Such repair shall also include refilling of trenches, excavations or embankments which show settlement or erosion after backfilling or placement.
- F. Except as noted on the Drawings or as specified, all structures such as embankments and fences shall be returned to their original condition prior to the completion of the Contract. Any and all damage to any facility not designated for removal, resulting from the Contractor's operations, shall be promptly repaired by the Contractor at no cost to the Owner.
- G. The Contractor shall be responsible for all road and entrance reconstruction and repairs and maintenance of same for a period of one year from the date of final acceptance. In the event the repairs and maintenance are not made immediately and it becomes necessary for the owner of the road to make such repairs, the Contractor shall reimburse the owner of the road for the cost of such repairs.
- H. In the event the Contractor fails to proceed to remedy the defects upon notification within 15 days of the date of such notice, the Owner reserves the right to cause the required materials to be procured and the work to be done, as described in the Drawings and Specifications, and to hold the Contractor and the sureties on Contractor's bond liable for the cost and expense thereof.
- I. Notice to Contractor for repairs and reconstruction will be made in the form of a registered letter addressed to the Contractor at Contractor's home office.
- J. Neither the foregoing paragraphs nor any provision in the Contract Documents, nor any special guarantee time limit implies any limitation of the Contractor's liability within the law of the place of construction.

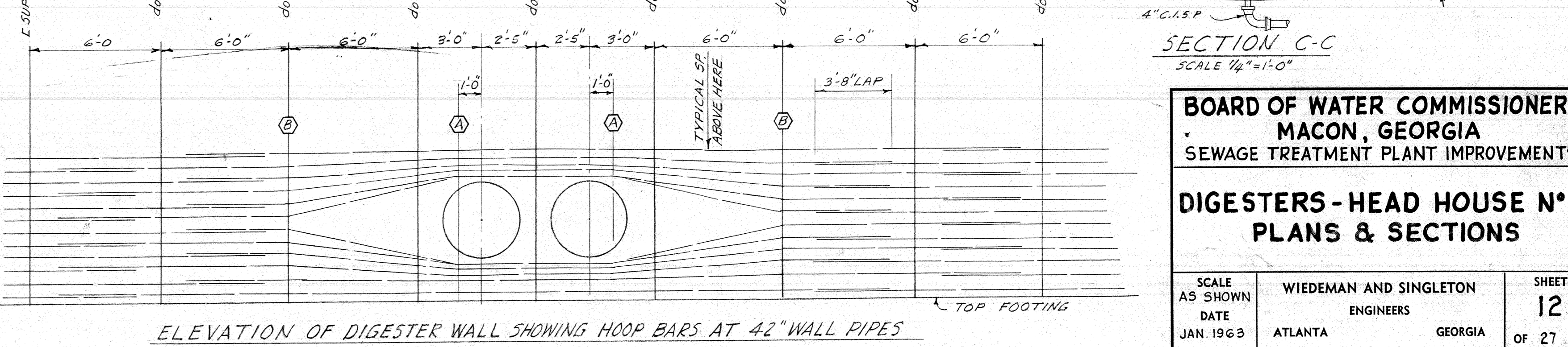
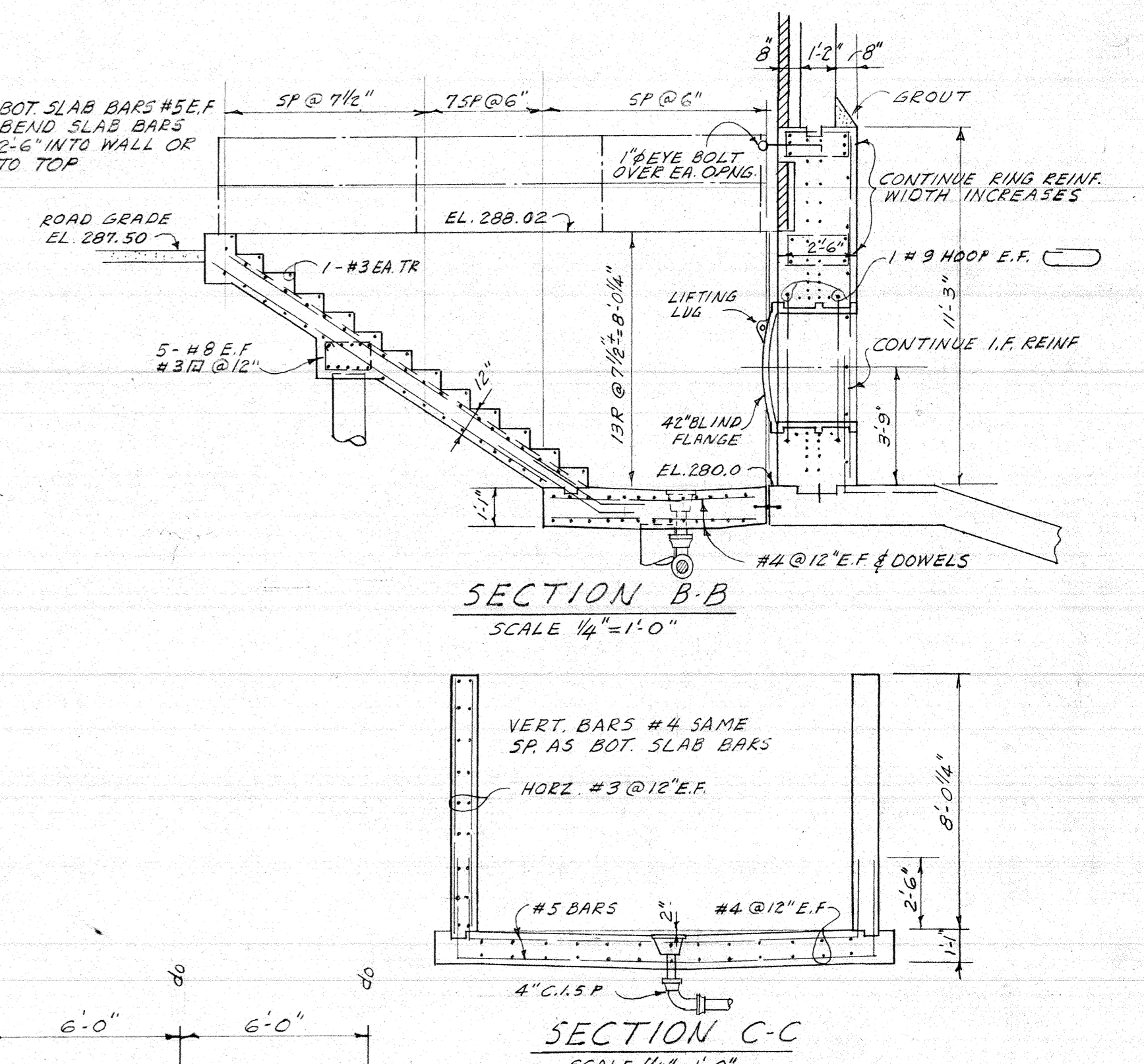
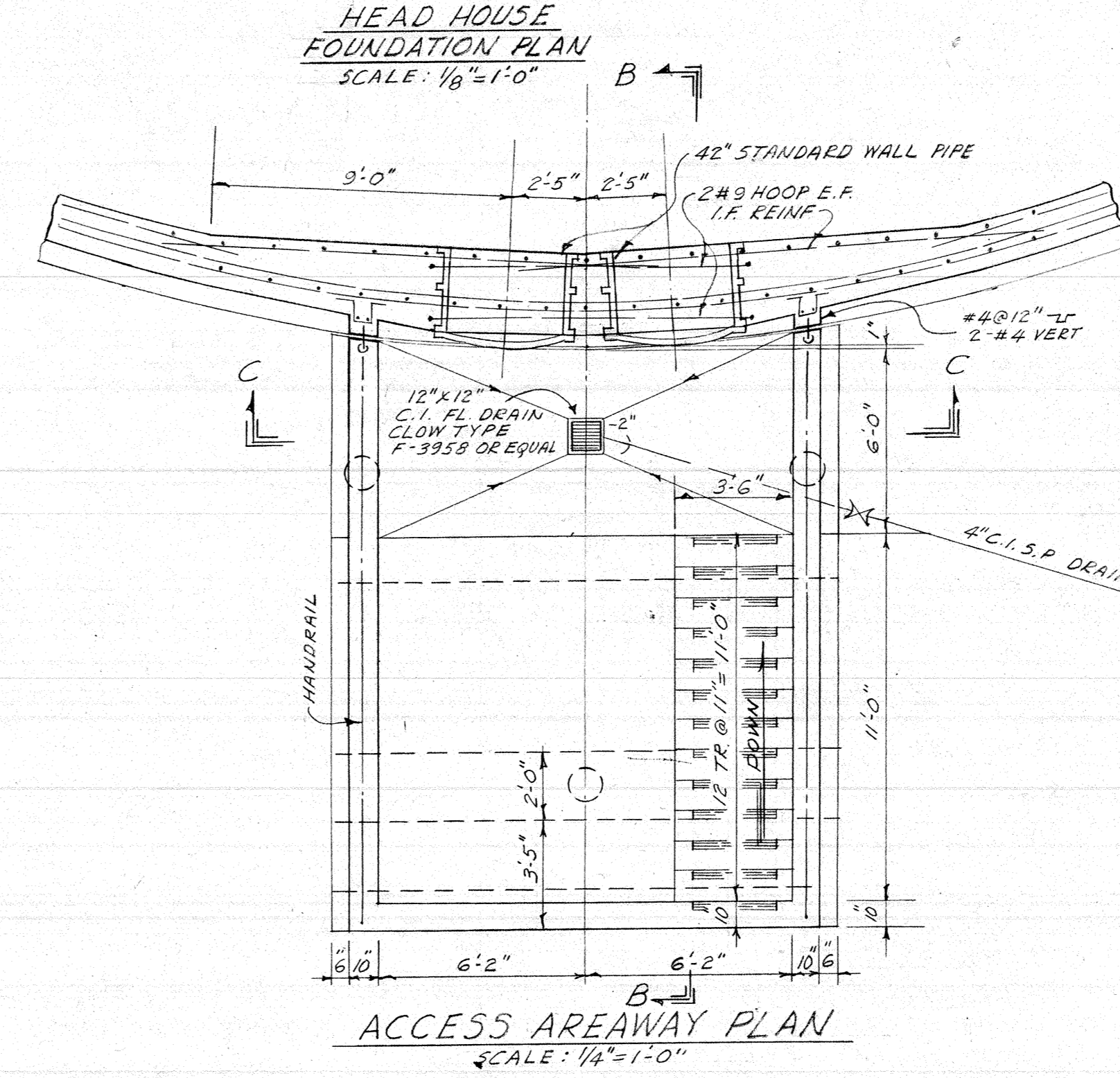
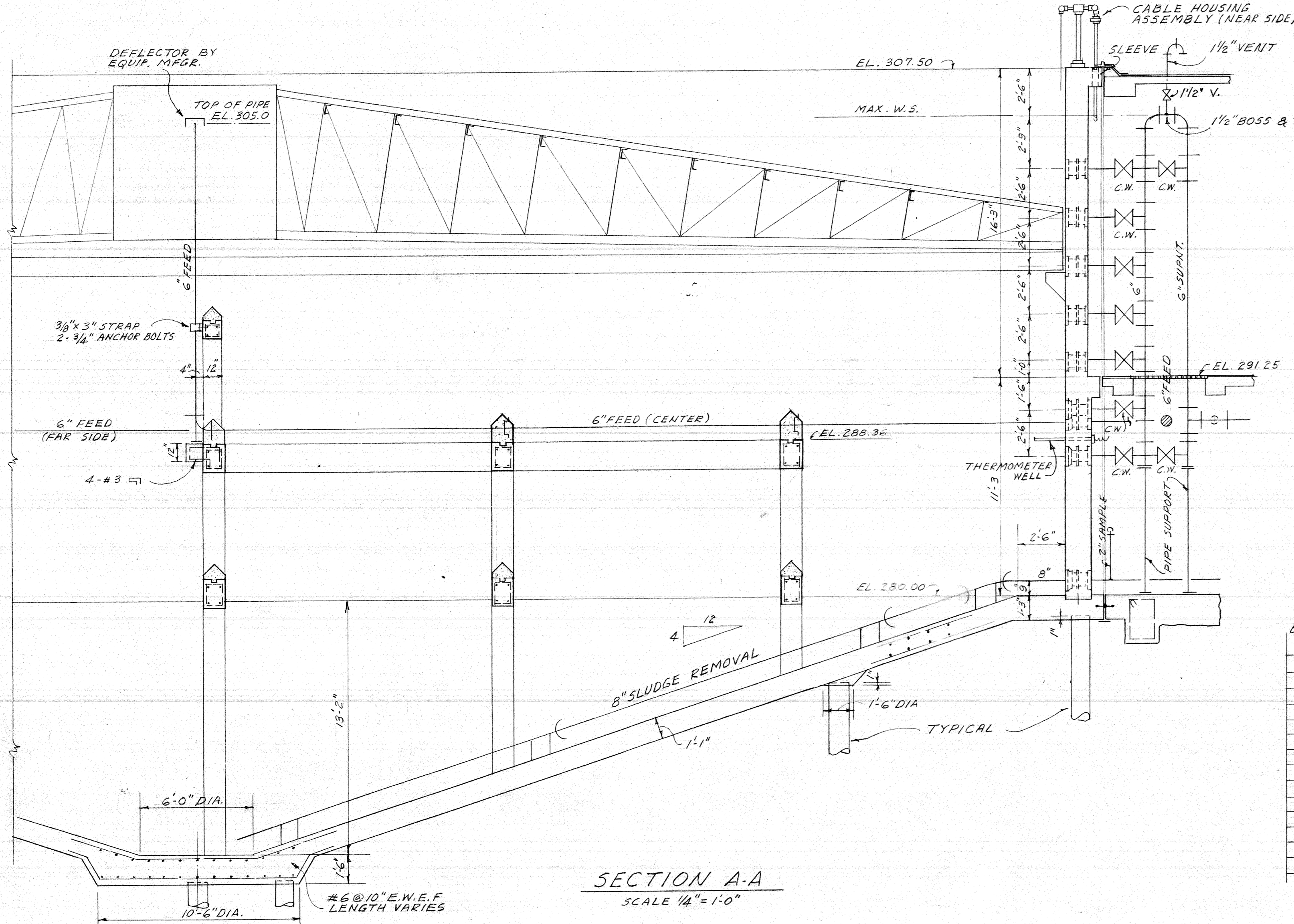
END OF SECTION

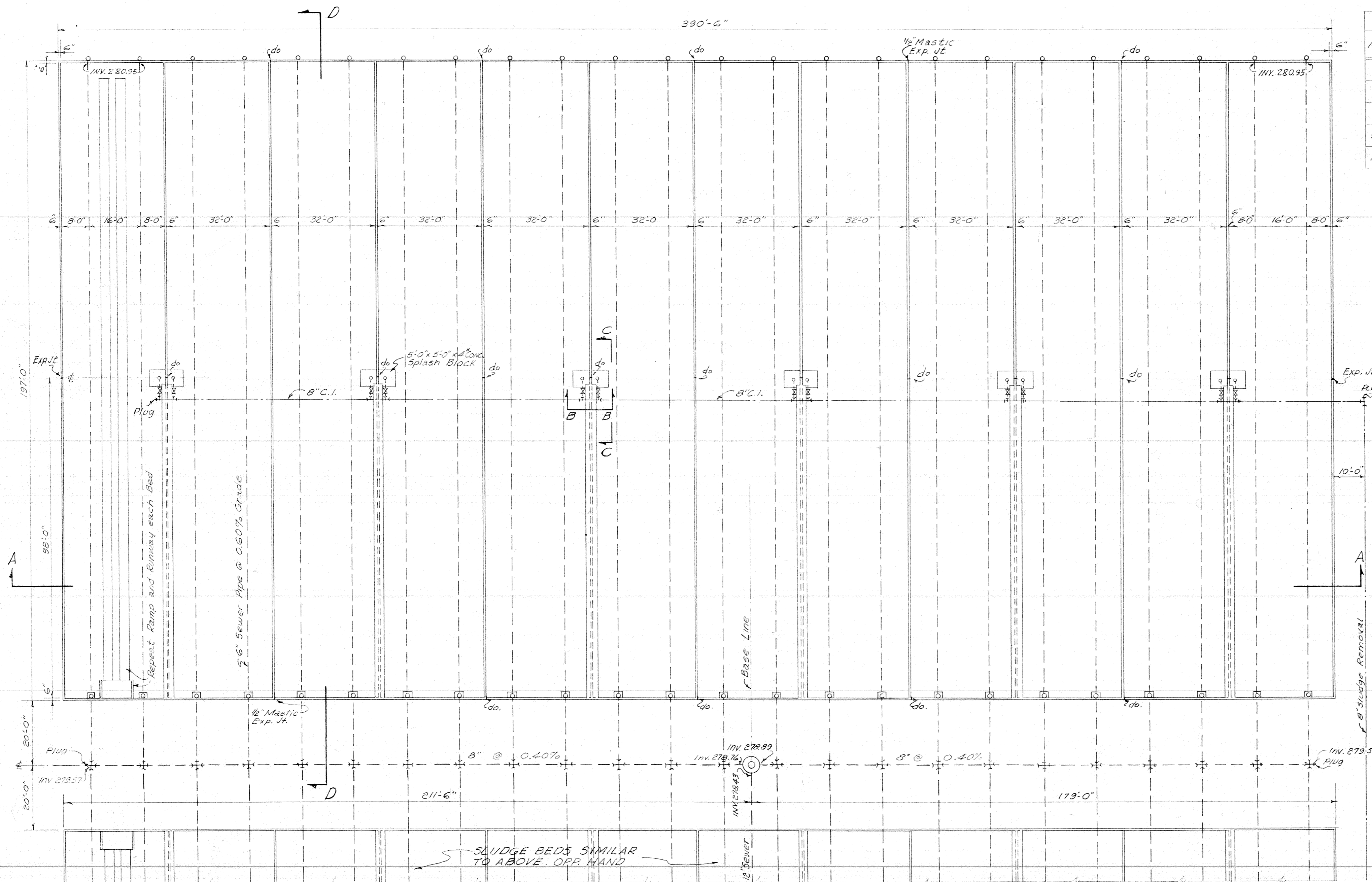
Appendix A



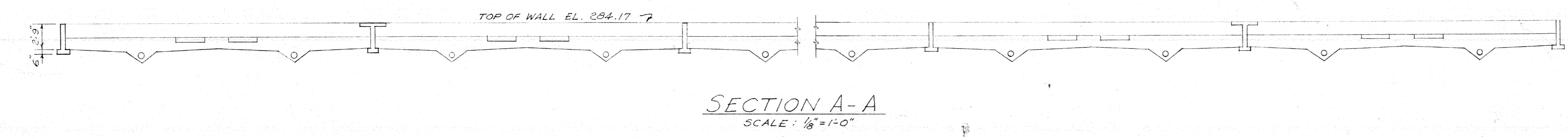
HOOP REINFORCING IN DIGESTER BOTTOM SLAB.
#8 BARS E.F. AT FOLLOWING HORIZONTAL RADII:

RADIUS	RADIUS	RADIUS	RADIUS	RADIUS	RADIUS
46'-10"	41'-2"	34'-8"	27'-5"	18'-8"	10'-0"
46'-2"	40'-4"	33'-8"	26'-5"	17'-3"	8'-9"
45'-2"	39'-4"	32'-8"	25'-2"	15'-10"	7'-6"
44'-5"	38'-5"	31'-8"	23'-9"	14'-10"	6'-3"
43'-8"	37'-6"	30'-8"	22'-5"	13'-6"	5'-0"
42'-10"	36'-7"	29'-7"	21'-1"	12'-3"	3'-9"
42'-0"	35'-8"	28'-6"	20'-1"	11'-0"	2'-6"

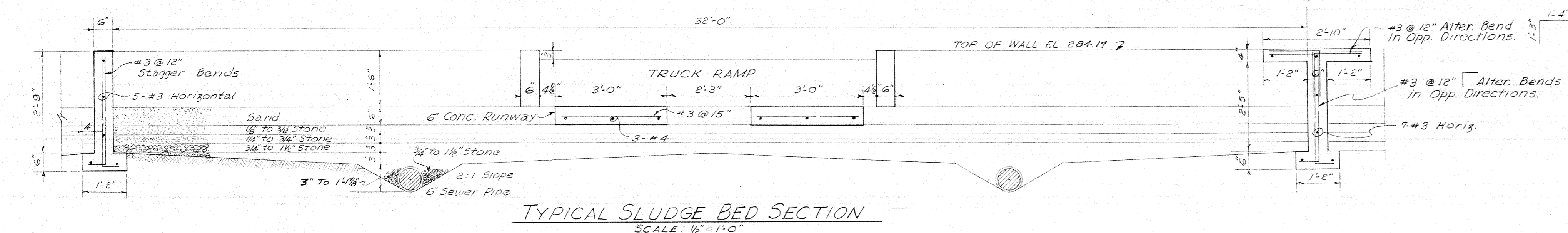




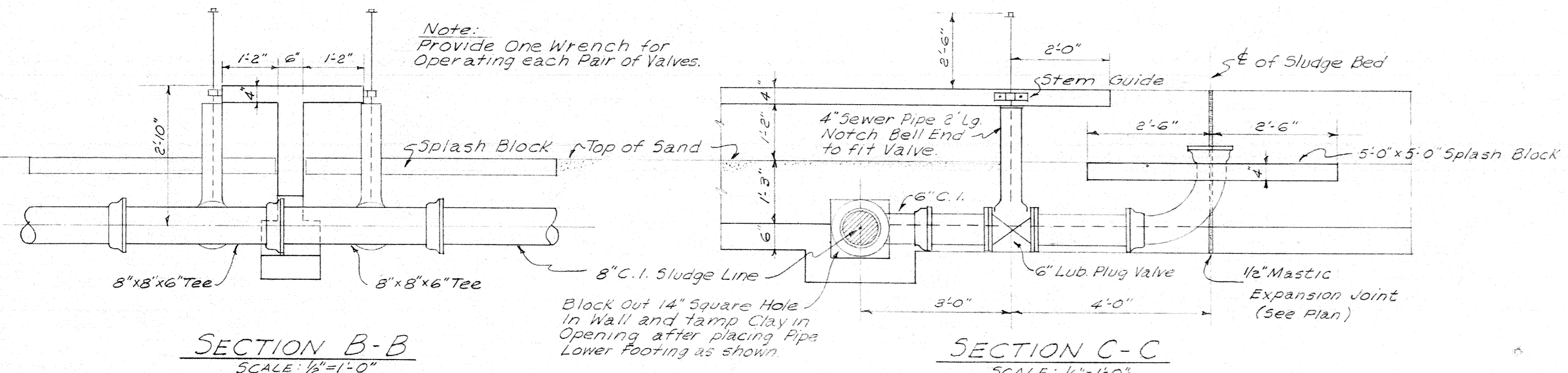
PLAN OF SLUDGE DRYING BEDS
SCALE: 1" = 20'



SECTION A-A
SCALE: 1/2" = 1'-0"

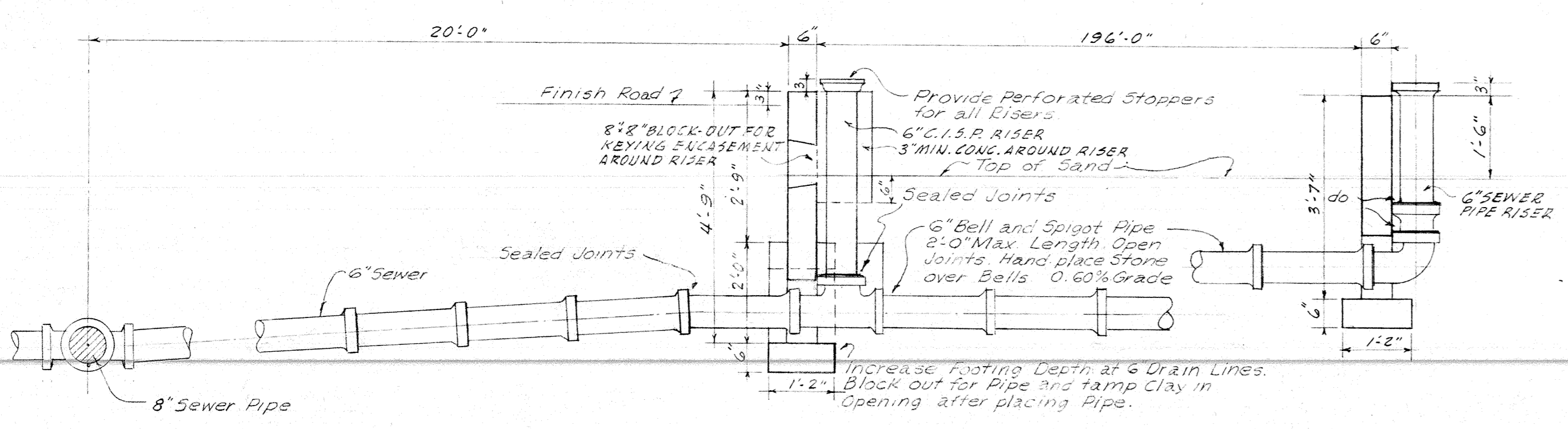


TYPICAL SLUDGE BED SECTION
SCALE: 1/2" = 1'-0"

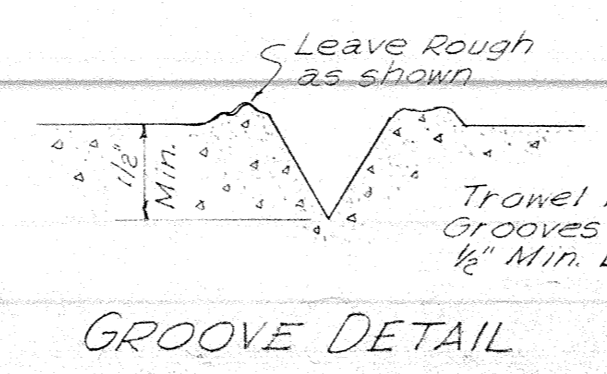


SECTION B-B
SCALE: 1/2" = 1'-0"

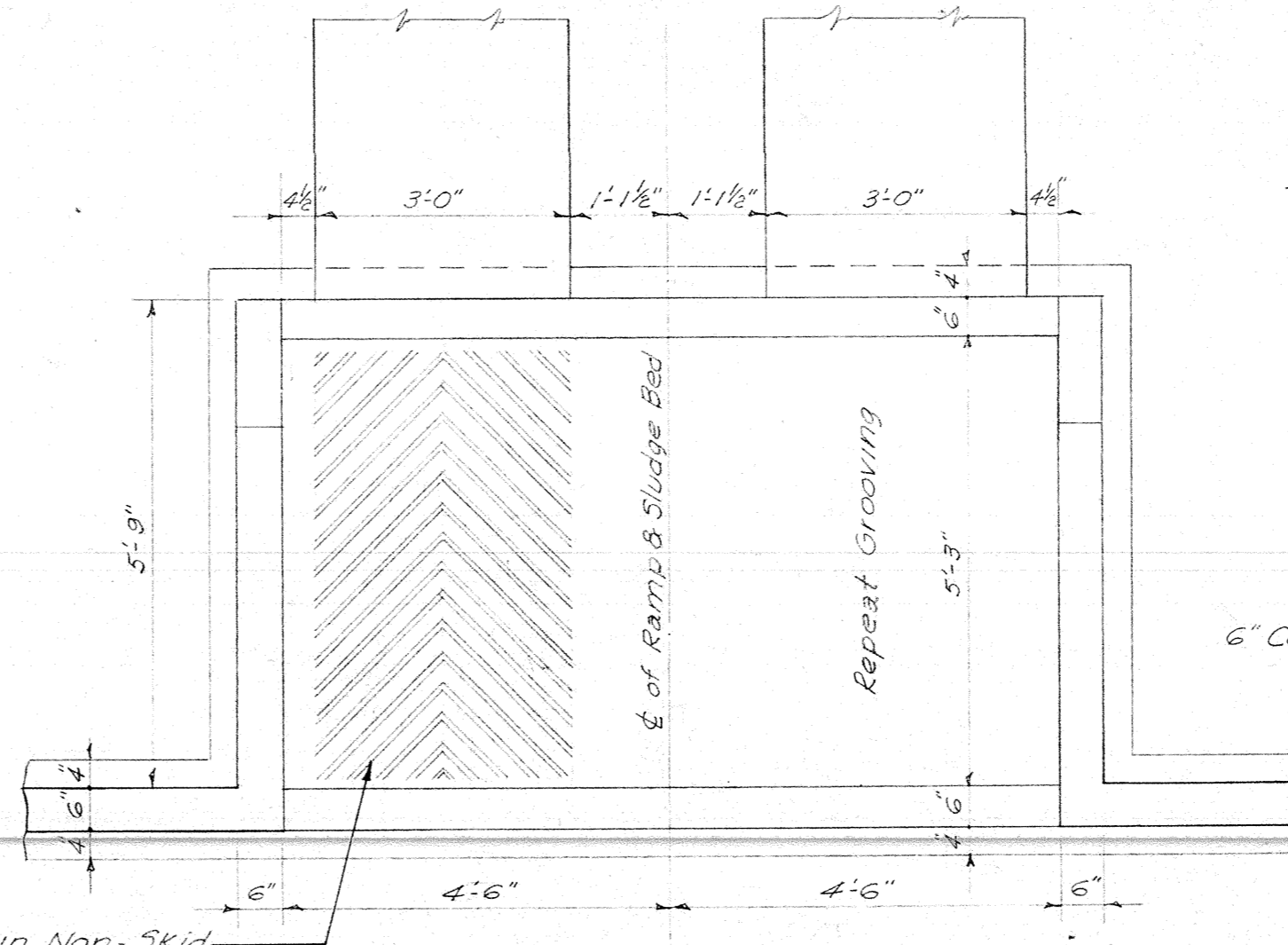
SECTION C-C
SCALE: 1/2" = 1'-0"



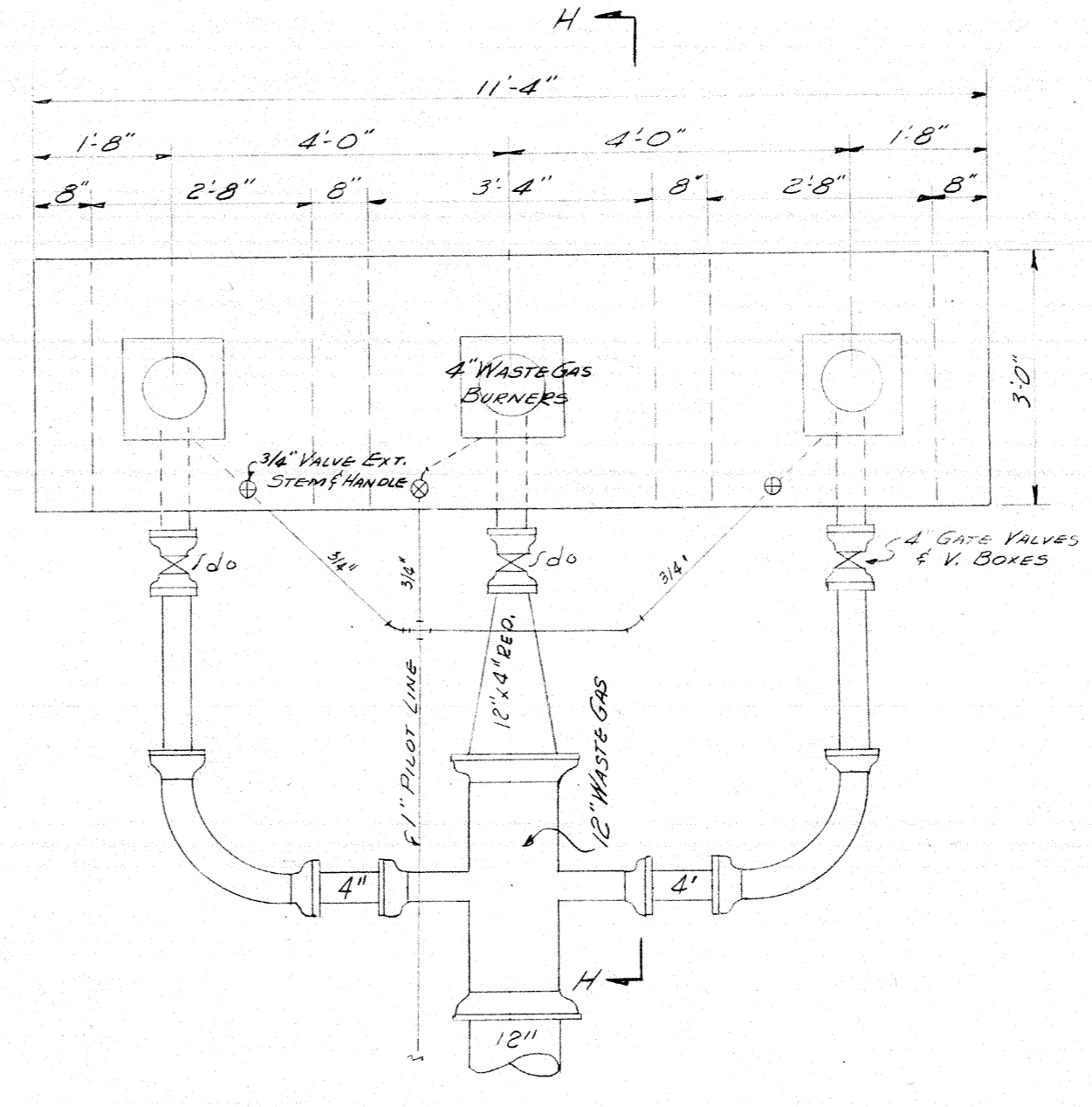
SECTION D-D
SCALE: 1/2" = 1'-0"



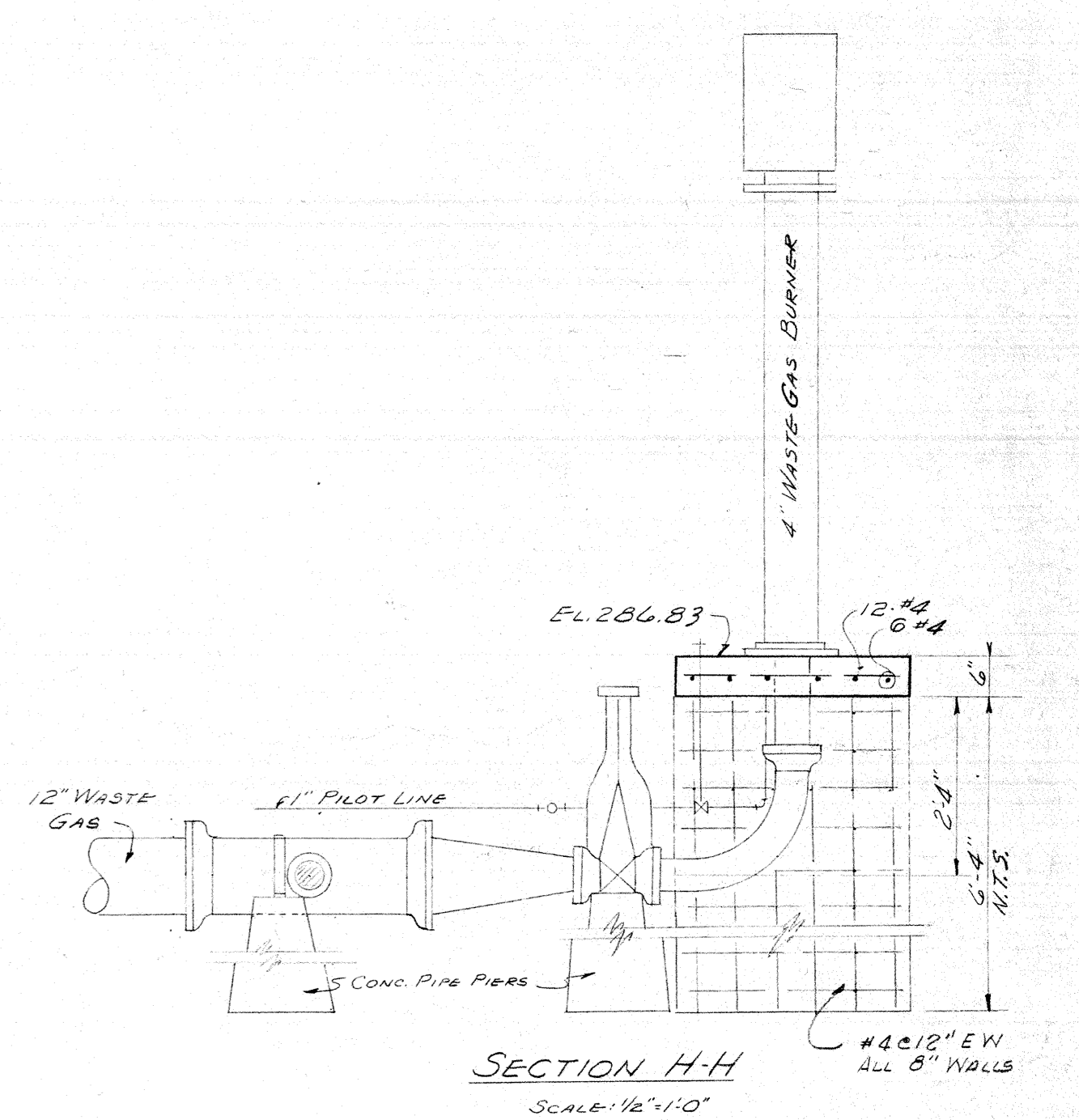
GROOVE DETAIL



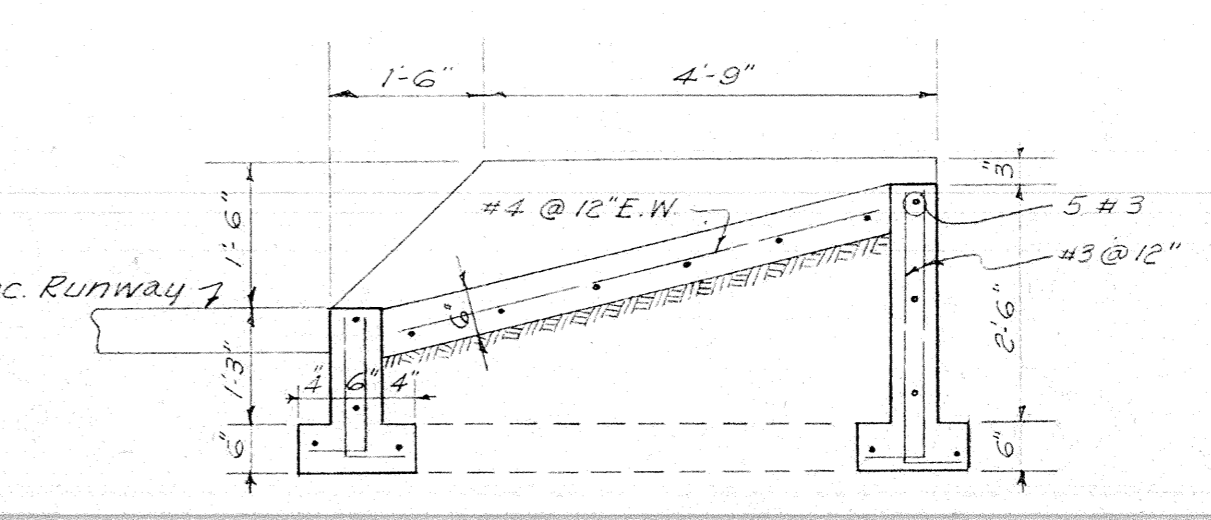
PLAN OF TRUCK RAMP
SCALE: 1/2" = 1'-0"



PLAN OF WASTE GAS BURNER BASE
SCALE: 1/2" = 1'-0"



SECTION H-H
SCALE: 1/2" = 1'-0"



SECTION ON C OF RAMP
SCALE: 1/2" = 1'-0"

ALUMINUM GATES							
MARK	LOCATION	DWG. NO.	TYPE	NO. REEDS	A	B	C
FG-1	PRIMARY SETTLING TANK INF.	11	1	4	1'-6"	3'-3"	3'-4 1/2"
FG-2	PRIMARY SETTLING TANK EFF.	12	3	4	2'-0"	2'-0"	6'-3"
FG-3	PRIMARY SETTLING TANK GATE WEIR EFF.	SEE SHEET NO. 12 FOR DIMENSIONS					
FG-4	FINAL SETTLING TANK INF.	13	1	4	2'-0"	3'-3"	3'-4 1/2"
FG-5	FINAL SETTLING TANK EFF.	19	1	4	2'-0"	3'-0"	6'-9"

FOR DETAILS SEE SHEET NO. 30

GATE SCHEDULE							
MARK	LOCATION	DWG. NO.	NO. REEDS	MODEL NO.	GATE SIZE	CHANNEL HT. INK. TO FL.	LIFT
G-1	OVERFLOW & BY-PASS MANHOLE	26	1	50100	54" x 8"	25'-9"	E. MOTOR OPERATED
G-2	do.	26	1	5010	54" x 54"	24'-4 1/2"	do
G-3	SCREEN CHANNELS	6	2	173	42" x 42"	7'-9"	HEAD ANGLE
G-4	GRIT TANK INF. & BY-PASS	6	4	173	42" x 42"	6'-0"	do
G-5	SUCTION WELL INF.	6	2	30-05	42" x 42"	10'-0 1/2"	PEDESTAL
G-6	PRIMARY SETTLING TANK BY-PASS	10	1	173	48" x 36"	7'-0"	E. MOTOR OPERATED
G-7	PRIMARY SETTLING TANK CROSS CONN. EFF.	12	2	20-100	36" x 4"	4'-1"	HEAD ANGLE
G-8	FILTER FEED INF.	12	2	173	36" x 36"	6'-0"	do.
G-9	FILTER FEED BY-PASS	12	2	30-05	36" x 36"	6'-0"	do.
G-10	FILTER EFF.	14	2	20-100	36" x 4"	11'-3"	do.
G-11	FINAL P.S. EQUALIZER EFF. WET WELL	15	1	20-100	24" x 4"	13'-1"	MIN. HT. FRAME, NON RISING STEM, OPER. WEL.
G-12	FINAL P.S. EQUALIZER RECR. WET WELL	15	1	20-100	24" x 4"	13'-1"	do.
G-13	FINAL P.S. EQUALIZER RECR. & STORM WET WELL	15	1	20-100	30" x 4"	13'-3"	do.
G-14	FINAL P.S. RECR. WELLS INF.	15	4	173	24" x 24"	11'-5"	G. ENGINE OPERATED C.R.E. 4
G-15	FINAL P.S. EFF. WELLS INF.	15	2	20-100	36" x 4"	9'-2"	do.
G-16	FINAL P.S. EFF. WELLS INF.	15	2	20-100	36" x 4"	9'-2"	E. MOTOR OPERATED
G-17	FINAL P.S. BY-PASS	15	2	50-10	36" x 36"	19'-9"	do.
G-18	MANHOLE "A"	27	1	20-100	36" x 8"	15'-1"	HEAD ANGLE
G-19	MANHOLE "A"	27	1	20-100	36" x 8"	11'-0 1/2"	do

MODEL NUMBERS ARE "ARMCO"
ALL LIFTS TO HAVE BALL BEARINGS ABOVE AND BELOW THE FLANGES OF THE LIFTING NUT
TOP OF ALL HEAD ANGLES TO BE HIGH ENOUGH TO PERMIT GATE TO BE FULLY OPENED WITH A MINIMUM OF 3'-0" ABOVE OPERATING FLOOR LEVEL.
ALL GATE SEATS TO BE SHROUD TYPE.
SEATING SURFACE BETWEEN GATE AND SLIDE TO BE BRONZE MOUNTED.
SEE SPECIFICATIONS FOR OTHER REQUIREMENTS.
① LIMITORQUE TYPE SMA-2-40 FT. LBS. MOTOR 2.59 H.P.
② LIMITORQUE TYPE SMA-3-50 FT. LBS. MOTOR 3.50 H.P.
③ LIMITORQUE TYPE SMA-00-10 FT. LBS. MOTOR 0.65 H.P.
④ LIMITORQUE TYPE SMA-00-10 FT. LBS. MOTOR 0.65 H.P.
⑤ LIMITORQUE TYPE SMA-1-25 FT. LBS. MOTOR 1.62 H.P.

BOARD OF WATER COMMISSIONERS
MACON, GEORGIA
SEWERAGE SYSTEM IMPROVEMENTS
**SLUDGE DRYING BEDS
WASTE GAS BURNERS
AND GATE SCHEDULE**

SCALE AS SHOWN	WIEDEMAN AND SINGLETON ENGINEERS	SHEET 23
DATE DEC. 1956	ATLANTA GEORGIA	OF 30

